



Electronic Flow Rate Transmitter EVS 3110

Description:

The flow rate transmitters in the series EVS 3110 (stainless steel range) are specially designed for use in hydraulic and other fluid technology systems.

They operate according to the turbine principle, i.e. the speed of an impeller turning in the fluid flow is measured and converted into a 4 .. 20 mA analogue signal.

On the stainless steel range, EVS 3110, the impeller is carbide-coated as standard and the resulting increased robustness also makes it suitable for use in pulsating, dynamic applications.

Two further G1/4 threaded holes in the turbine housing provide connections for additional units, e.g. temperature and pressure transmitters.

Special features:

- Suitable for pressures up to 400 bar
- Viscosities of 1 .. 100 cSt
- Output signal 4 .. 20 mA
- Additional connection of temperature and / or pressure transmitters possible

Technical specifications:

Input data

Measuring ranges * and operating pressure

EVS 311X-A-0020	1.2 .. 20.0 l/min	400 bar
EVS 311X-A-0060	6.0 .. 60.0 l/min	400 bar
EVS 311X-A-0300	15.0 .. 300.0 l/min	400 bar
EVS 311X-A-0600	40.0 .. 600.0 l/min	400 bar
Additional connection options	2 x G1/4 female threads for pressure and/or temperature sensors	

Output data

Output signal, permitted resistance	4 .. 20 mA, 2 conductor $R_{Lmax} = (U_B - 10 V) / 20 \text{ mA} [\text{k}\Omega]$
Accuracy	≤ 2 % of the actual value

Ambient conditions

Compensated temperature range	-20 .. +70 °C
Operating temperature range	-20 .. +70 °C
Storage temperature range	-40 .. +100 °C
Fluid temperature range	-20 .. +90 °C
CE mark	EN 61000-6-1 / 2 / 3 / 4
Protection class to DIN 40050	IP 65 (Binder 714 M18) IP 67 (M12x1, when an IP 67 connector is used)

Other data

Housing material	Stainless steel
Measuring medium	Water based fluids **
Viscosity range	1 .. 100 cSt
Calibration viscosity	5 cSt
Supply voltage	10 .. 32 V DC
Residual ripple of supply voltage	≤ 5 %

Note: * Other measuring ranges on request
** Other fluids on request

Model code:

EVS 3 1 1 X - A - XXXX - 000

Housing material

1 = Stainless steel

Electrical connection

4 = 4 pole Binder series 714 M18
(connector not supplied)

6 = M12x1, 4 pole
(connector not supplied)

Signal

A = 4 .. 20 mA, 2 conductor

Measuring range

0020 = 1.2 .. 20 l/min

0060 = 6.0 .. 60 l/min

0300 = 15.0 .. 300 l/min

0600 = 40.0 .. 600 l/min

Modification number

000 = Standard

Note:

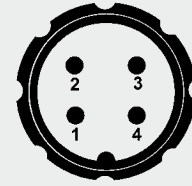
On units with a different modification number, please read the label or the technical amendment details supplied with the unit.

Accessories:

Appropriate accessories, such as electrical connectors, can be found in the Accessories section.

Pin connections:

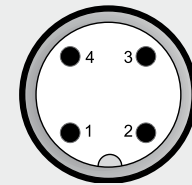
Binder series 714 M18



Pin EVS 3114-A

1	n.c.
2	Signal +
3	Signal -
4	n.c.

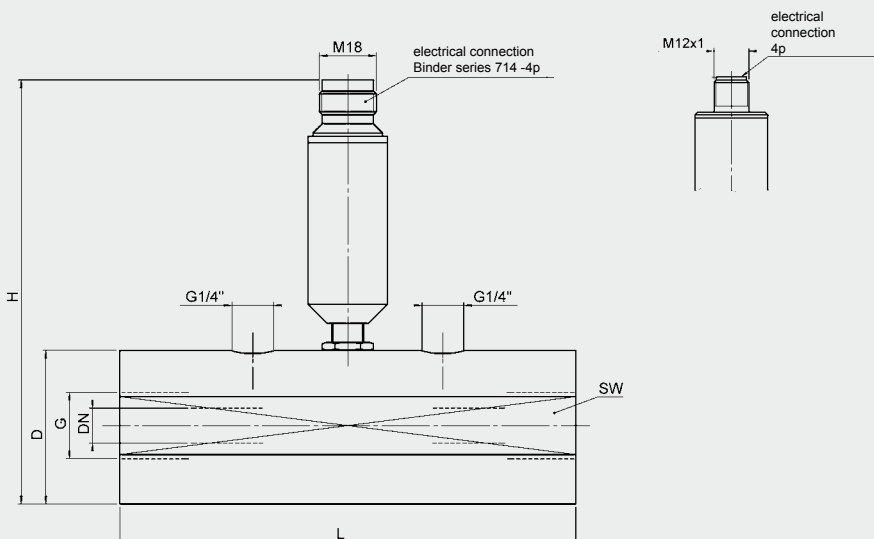
M12x1



Pin EVS 3116-A

1	Signal +
2	n.c.
3	Signal -
4	n.c.

Dimensions:



Model	Meas. range [l/min]	L [mm]	H [mm]	D / SW [mm]	G	Torque value [Nm]	DN [mm]
EVS 311X-A-0020	1.2 .. 20	117	135	47 / 46	G $\frac{1}{4}$ "	60	7
EVS 311X-A-0060	6 .. 60	144	135	48.5 / 46	G $\frac{1}{2}$ "	130	11
EVS 311X-A-0300	15 .. 300	155	150	63.5 / 60	G $1\frac{1}{4}$ "	500	22
EVS 311X-A-0600	40 .. 600	181	150	63.5 / 60	G $1\frac{1}{2}$ "	600	30

Note:

The information in this brochure relates to the operating conditions and applications described.

For applications or operating conditions not described, please contact the relevant technical department.

Subject to technical modifications.

HYDAC ELECTRONIC GMBH

Hauptstraße 27, D-66128 Saarbrücken

Telephone +49 (0)6897 509-01

Fax +49 (0)6897 509-1726

E-Mail: electronic@hydac.com

Internet: www.hydac.com