

Electrical Accessories

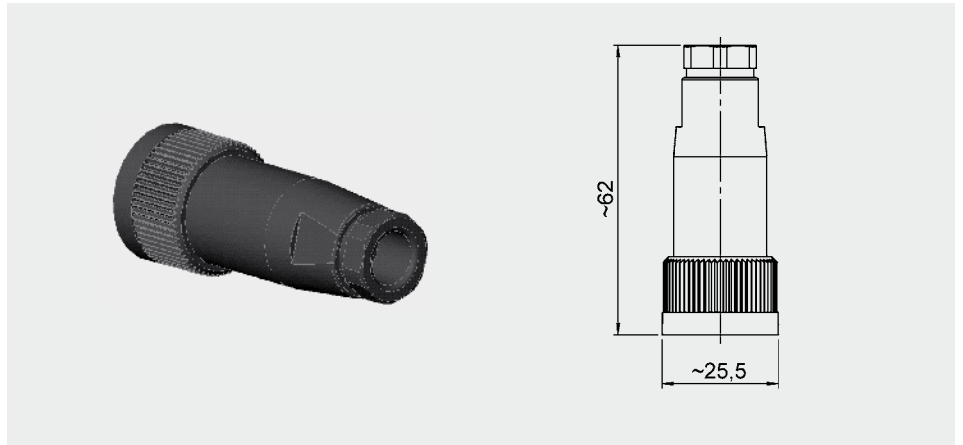
Female Connectors for Sensors

ZBE 02 (4 pole)

Female connector, straight

Part No.: 609479

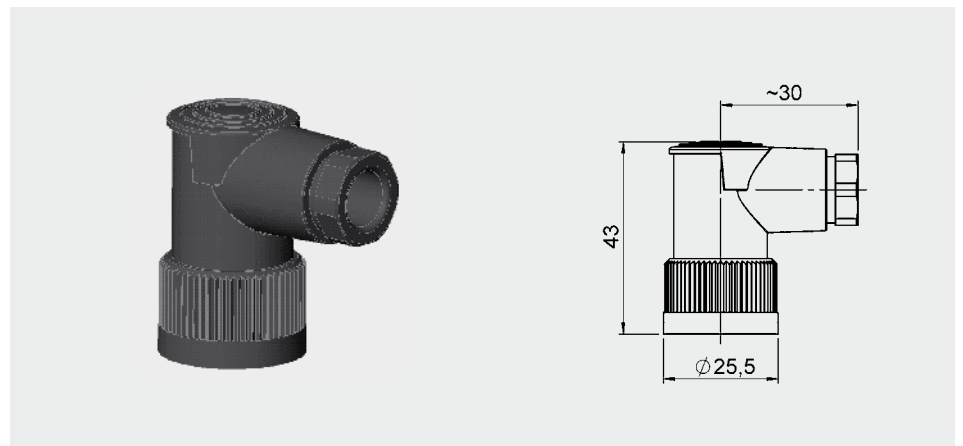
With electrical connection type "4":
(Male Binder series 714 M18)



ZBE 03 (4 pole)

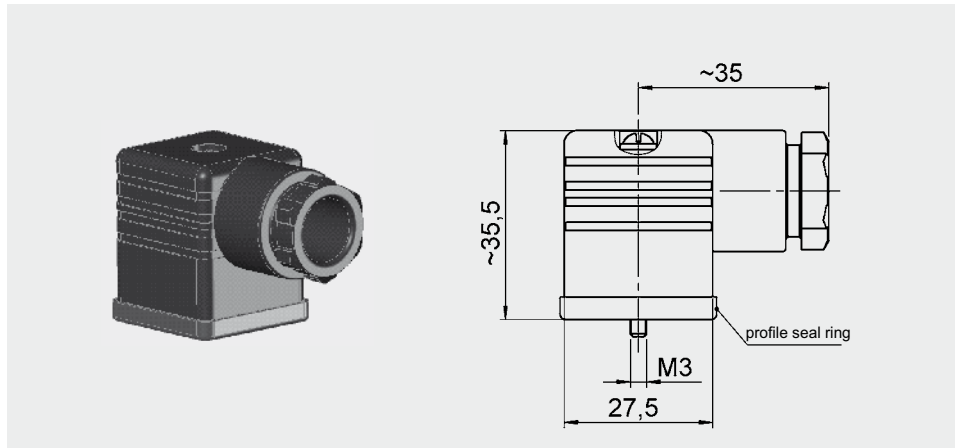
Female connector, right-angle

Part No.: 609480



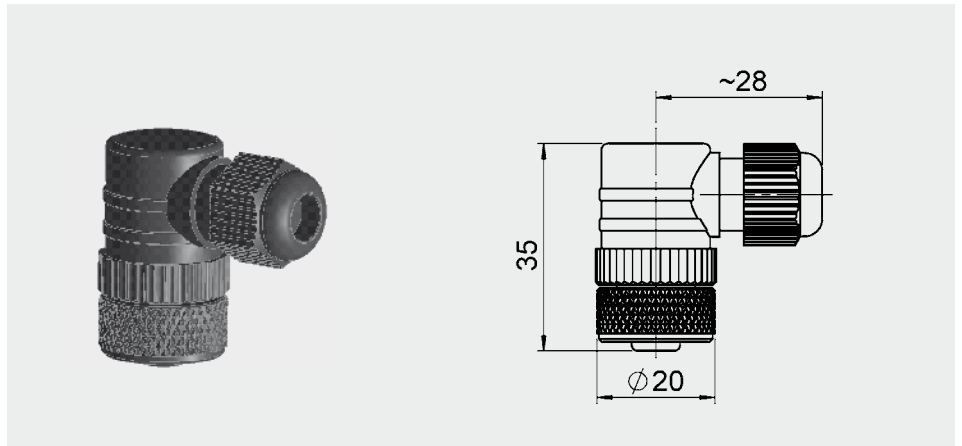
ZBE 01 (3 pole + PE)
 Female connector, right-angle
 Part No.: 905701

With electrical connection type "5":
 (Male DIN 43650 / ISO 4400)



ZBE 06 (4 pole)
 Female connector, right-angle
 Part No.: 6006788

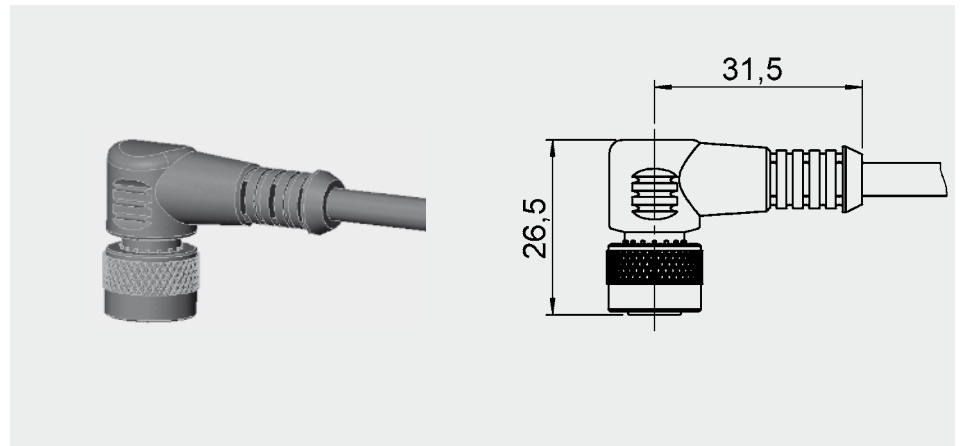
With electrical connection type "6":
 (Male M12x1, 4 pole)



ZBE 06-02 (4 pole)
 Female connector, right-angle
 with 2 m cable,
 Part No.: 6006790

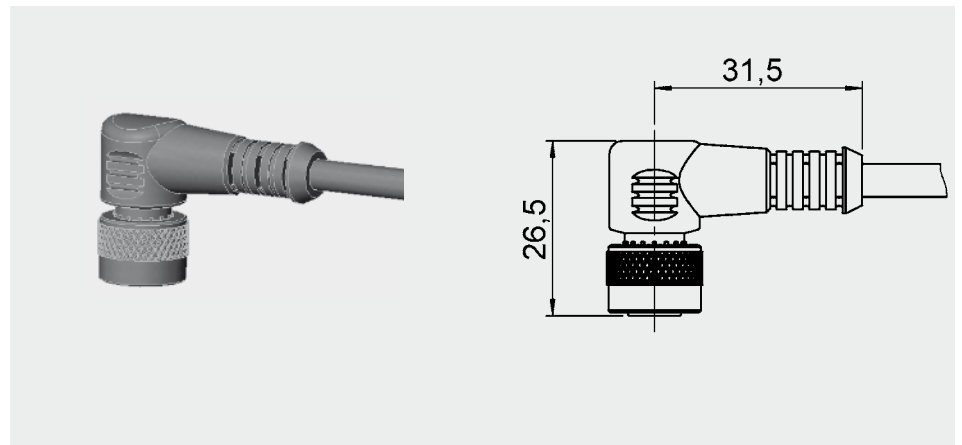
ZBE 06-05 (4 pole)
 Female connector, right-angle
 with 5 m cable
 Part No.: 6006789

Colour code:
 Pin 1: brown
 Pin 2: white
 Pin 3: blue
 Pin 4: black



ZBE 06S-05 (4 pole)
 Female connector, right-angle
 with 5 m cable, screened
 Part No.: 6044891

Colour code:
 Pin 1: brown
 Pin 2: white
 Pin 3: blue
 Pin 4: black

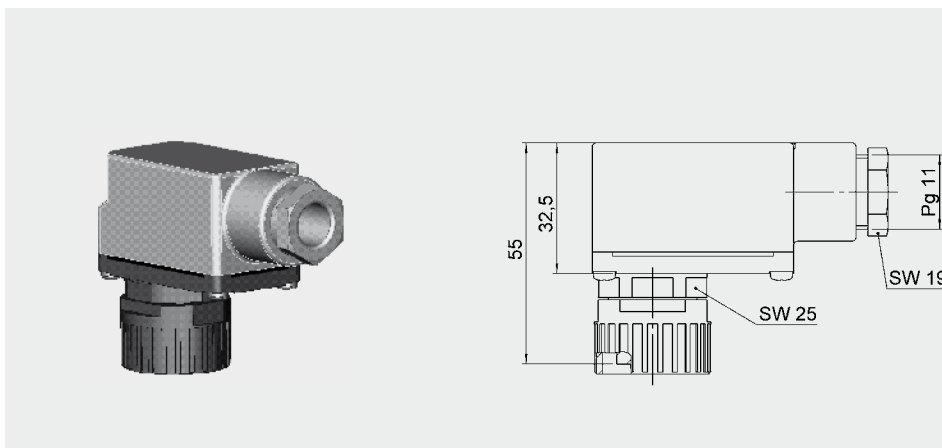


ZBE 10 (6 pole + PE)

Female cable connector, right-angle

Part No.: 654527

With electrical connection type "7": (Male DIN 43651)

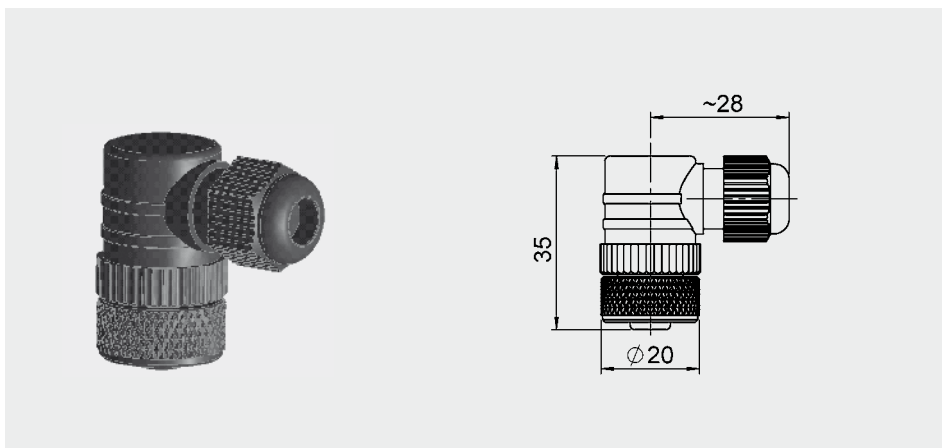


ZBE 08 (5 pole)

Female connector, right-angle

Part No.: 6006786

With electrical connection type "8": (Male M12x1, 5 pole)



ZBE 08-02 (5 pole)

Female connector, right-angle
with 2 m cable

Part No.: 6006792

ZBE 08-05 (5 pole)

Female connector, right-angle
with 5 m cable

Part No.: 6006791

Colour code:

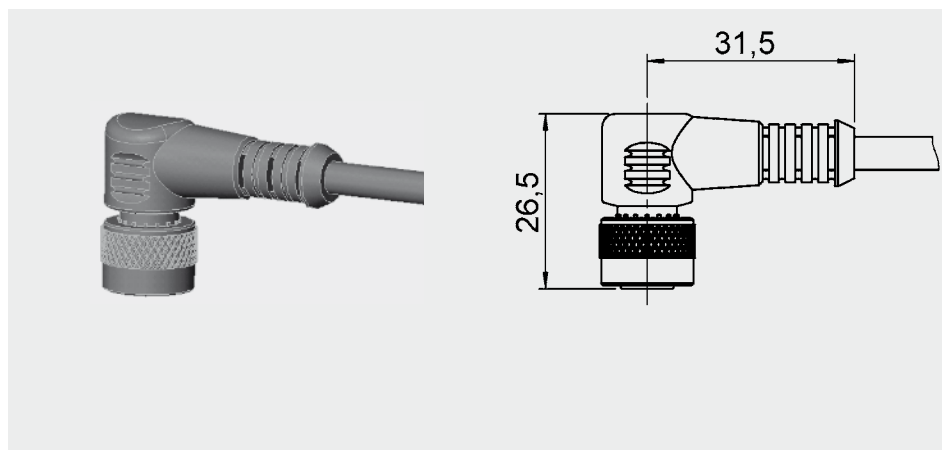
Pin 1: brown

Pin 2: white

Pin 3: blue

Pin 4: black

Pin 5: grey



ZBE 08S-02 (5 pole)

Female connector, right-angle
with 2 m cable, screened

Part No.: 6019455

ZBE 08S-05 (5 pole)

Female connector, right-angle
with 5 m cable, screened

Part No.: 6019456

ZBE 08S-10 (5 pole)

Female connector, right-angle
with 10 m cable, screened

Part No.: 6023102

Colour code:

Pin 1: brown

Pin 2: white

Pin 3: blue

Pin 4: black

Pin 5: grey

ZBE 30-02 (5 pole)

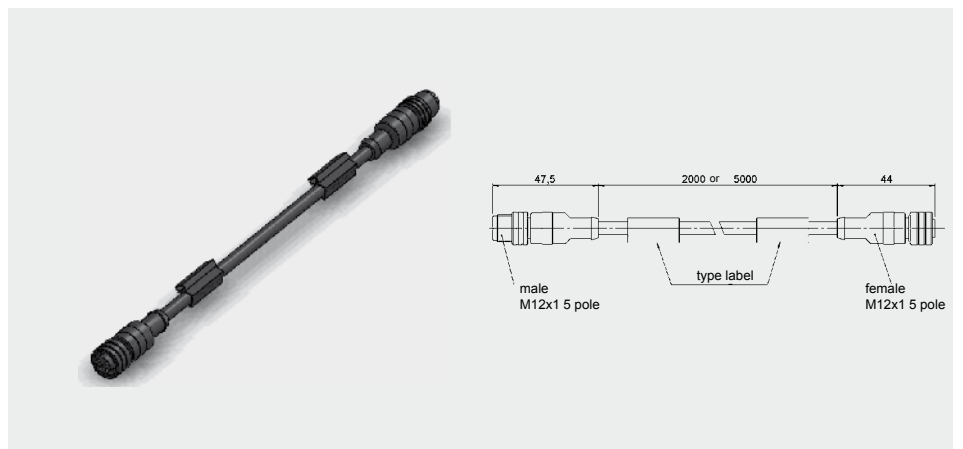
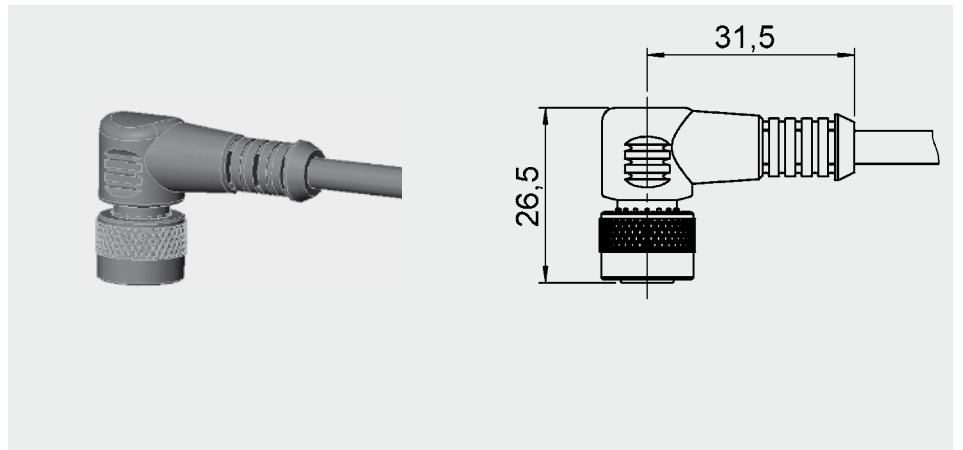
Connection cable, 2 m

Part No.: 6040851

ZBE 30-05 (5 pole)

Connection cable, 5 m

Part No.: 6040852



ZBE 0P (8 pole)

Female connector, right-angle

Part No.: 6055444

ZBE 0P-02 (8 pole)

Female connector, right-angle
with 2 m cable

Part No.: 6052697

ZBE 0P-05 (8 pole)

Female connector, right-angle
with 5 m cable

Part No.: 6052698

Colour code:

Pin 1: white

Pin 2: brown

Pin 3: green

Pin 4: yellow

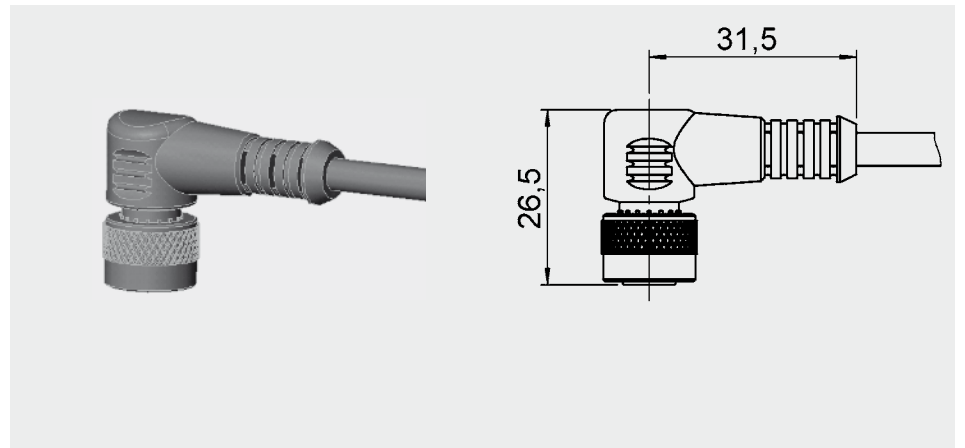
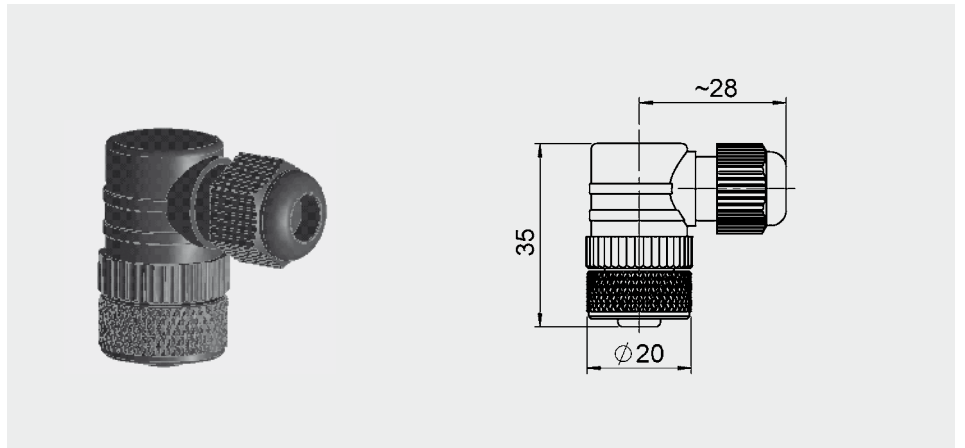
Pin 5: grey

Pin 6: pink

Pin 7: blue

Pin 8: red

**With electrical connection type "P":
(Male M12x1, 8 pole)**



Note:

The information in this brochure relates to the operating conditions and applications described.

For applications and operating conditions not described, please contact the relevant technical department.

Subject to technical modifications.

HYDAC ELECTRONIC GMBH
Hauptstraße 27, D-66128 Saarbrücken
Telephone +49 (0)6897 509-01
Fax +49 (0)6897 509-1726
E-Mail: electronic@hydac.com
Internet: www.hydac.com