



Electronic Pressure Transmitter HDA 7400

(Minimum order quantity 100 pieces)

Description:

The pressure transmitter series HDA 7400 combines excellent technical specifications with a very compact design.

The HDA 7400 was specifically developed for OEM applications e.g. in mobile applications. A stainless steel sensor cell with thin-film strain gauge is the basis of a robust, long-life pressure transmitter.

Various pressure ranges between 0 .. 40 bar and 0 .. 600 bar provide versatility when adapting to particular applications.

For integration into modern controls (e.g. with PLC) standard analogue output signals are available.

Special features:

- Accuracy $\leq \pm 0.5\%$ FS typ.
- Highly robust sensor cell
- Highly compact design
- Very small temperature error
- Excellent EMC characteristics
- Excellent long-term characteristics

Technical specifications:

Input data	
Measuring ranges	40; 60; 100; 160; 250; 400; 600 bar
Overload pressures	80; 120; 200; 320; 500; 800; 1000 bar
Burst pressure	200; 300; 500; 800; 1250; 2000; 2000 bar
Mechanical connection	G1/4 A DIN 3852
Parts in contact with medium	Mech. connection: Stainless steel Seal: FPM
Output data	
Output signal*	e.g.: 4 .. 20 mA, 0 .. 5 V, 0.5 .. 4.5 V, 1 .. 6 V, 0 .. 10 V etc
Accuracy to DIN 16086, Max. setting	$\leq \pm 0.5\%$ FS typ. $\leq \pm 1\%$ FS max.
Accuracy at min. setting (B.F.S.L.)	$\leq \pm 0.25\%$ FS typ. $\leq \pm 0.5\%$ FS max.
Temperature compensation Zero point/Range	$\leq \pm 0.015\%$ FS / °C typ. $\leq \pm 0.025\%$ FS / °C max.
Non-linearity at max. setting to DIN 16086	$\leq \pm 0.3\%$ FS max.
Hysteresis	$\leq \pm 0.4\%$ FS max.
Repeatability	$\leq \pm 0.1\%$ FS
Rise time	≤ 2 ms
Long-term drift	$\leq \pm 0.3\%$ FS typ. / year
Ambient conditions	
Compensated temperature range*	0 .. +70 °C
Operating temperature range*	+25 .. +85 °C
Storage temperature range	-40 .. +100 °C
Fluid temperature range	-40 .. +100 °C
CE mark	EN 61000-6-1 / 2 / 3 / 4
Vibration resistance to DIN EN 60068-2-6 at 10 .. 500 Hz	≤ 20 g
Protection class to DIN 40050	IP 65 IP 67 (M12x1, when an IP 67 connector is used)
Other data	
Electrical connection *	e.g. M12x1 (4 pole) Flying leads
Supply voltage 2 conductor	10 .. 30 V DC
Supply voltage 3 conductor	12 .. 30 V DC
Residual ripple of supply voltage	$\leq 5\%$
Current consumption	< 25 mA
Life expectancy	> 10 million cycles 0 .. 100 % FS
Weight	approx. 60 g

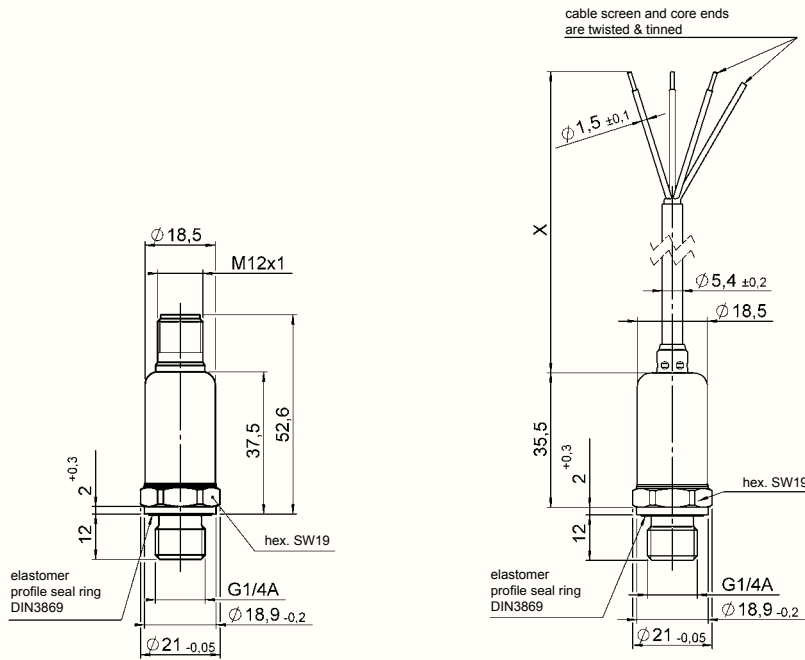
Note: Reverse polarity protection of the supply voltage, excess voltage, override, short circuit protection are provided.

FS (Full Scale) = relative to complete measuring range

B.F.S.L. = Best Fit Straight Line

* Other versions available on request

Dimensions (examples):



Note:

The information in this brochure relates to the operating conditions and applications described.
For applications or operating conditions not described, please contact the relevant technical department.
Subject to technical modifications.

Ordering Details:

The electronic pressure switch HDA 7400 has been specially developed for OEM customers and is available for minimum order quantities of 100 pieces per type. For exact specification, please contact the Sales Department of HYDAC ELECTRONIC.

HYDAC ELECTRONIC GMBH
Hauptstraße 27, D-66128 Saarbrücken
Telephone +49 (0)6897 509-01
Fax +49 (0)6897 509-1726
E-Mail: electronic@hydac.com
Internet: www.hydac.com