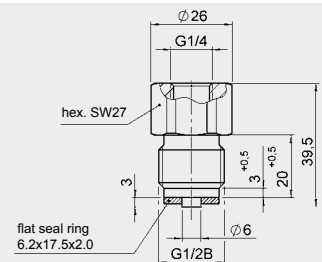


## Mechanical Accessories

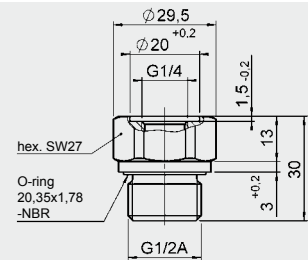
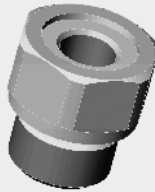
### ZBM 01

Adapter female thread G1/4 –  
male thread G1/2 B, DIN EN 837-1  
Part No.: 257276



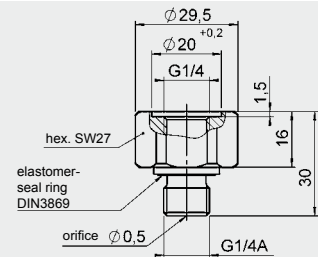
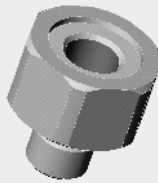
### ZBM 02

Adapter female thread G1/4 –  
male thread G1/2 A, DIN 3852  
Part No.: 257277



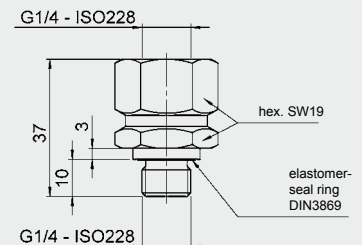
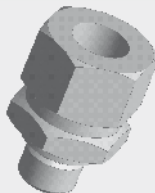
### ZBM 13

Adapter female thread G1/4 –  
male thread G1/4 A,  
with orifice 0.5 mm  
Part No.: 906968



### ZBM 14

Adapter female thread G1/4 –  
male thread G1/4 (rotating)  
Part No.: 907818



### Connection accessories

### ZBM 19

Straight bulkhead union ISO 8434

Part No.: 908738

**Note:** Not suitable for  
ENS with 250 mm probe length

### ZBM 20

Straight male stud coupling to  
ISO 8434

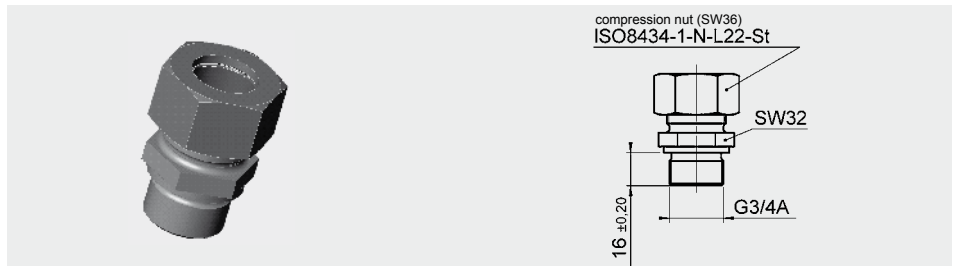
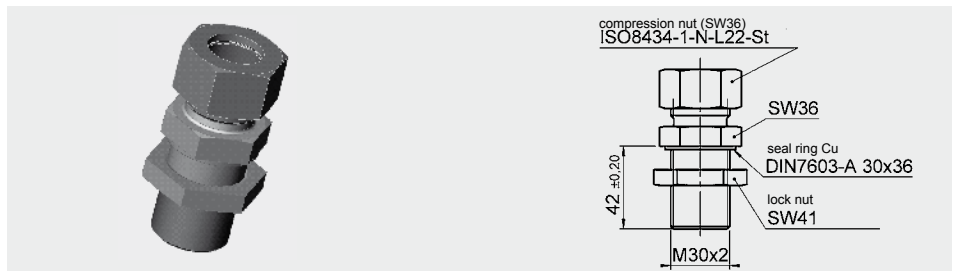
Part No.: 908739

### ZBM 22

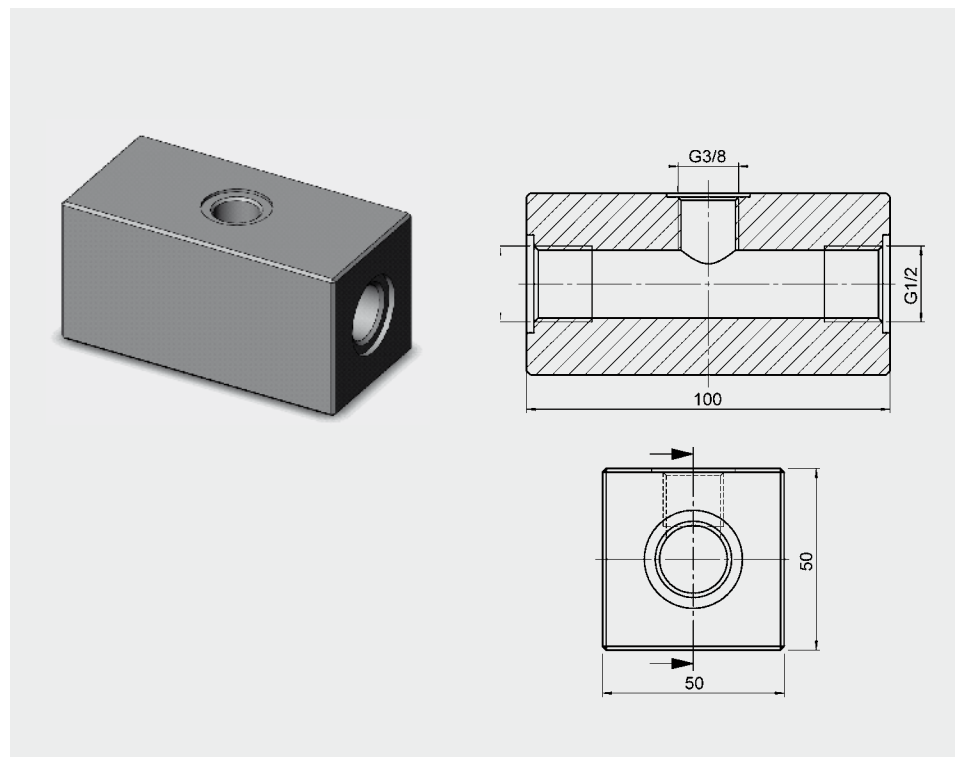
Mounting block for AquaSensor  
AS 1000

Part No.: 3248511

## Connection accessories, device-specific ENS 3000



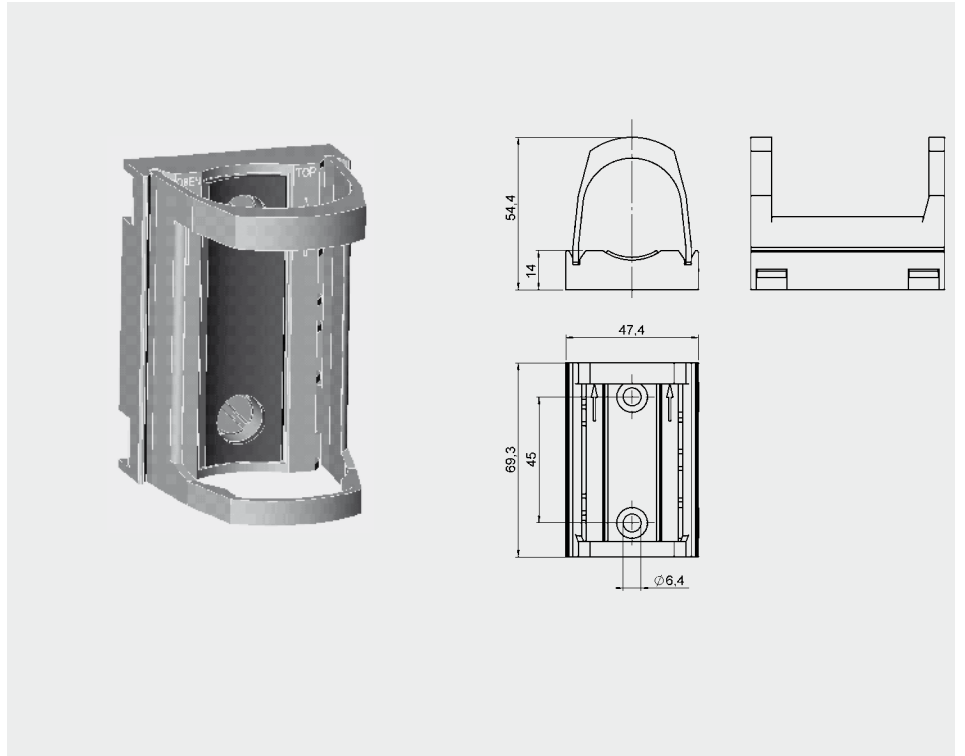
## Connection accessory, device-specific AS 1000



## Mounting accessories, device-specific EDS 300, ETS 300

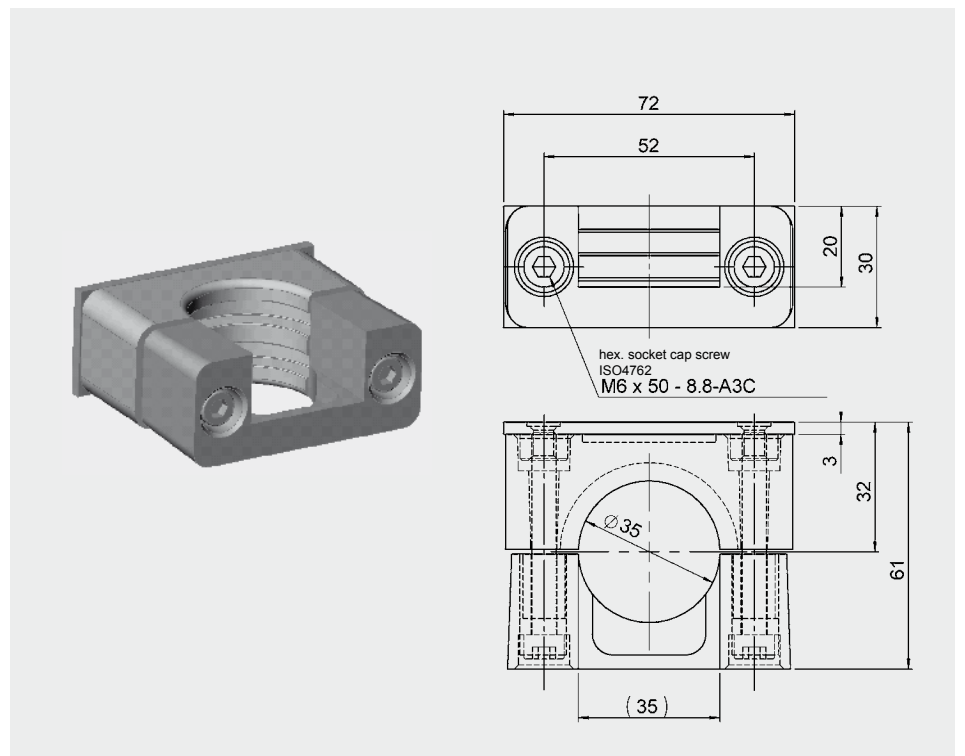
### ZBM 300

Clamp for wall-mounting  
- screw-type fitting -  
(Material polypropylene)  
Part No.: 906385



### ZBM 310

Clamp for wall-mounting  
- weld-type fitting -  
(Material polypropylene,  
aluminium AlSi12, steel)  
Part No.: 3184630



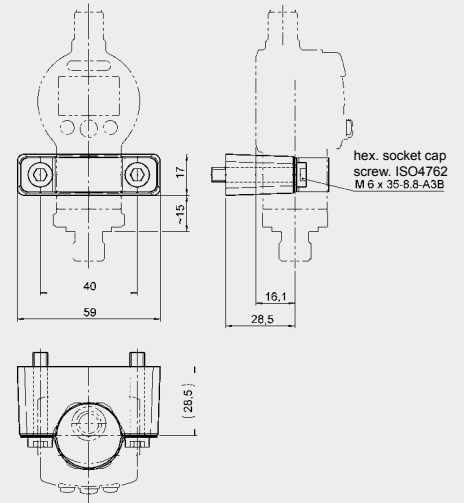
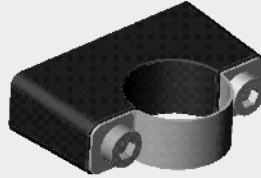
**Mounting accessories, device-specific  
EDS 3000, ETS 3000 and ENS 3000**

**ZBM 3000**

Clamp for wall-mounting  
- screw-type fitting -

(Material of lower section:  
TPE Santoprene 10187;  
Material of top section:  
Steel strip DIN 95381-1.4571)

Part No.: 3184630

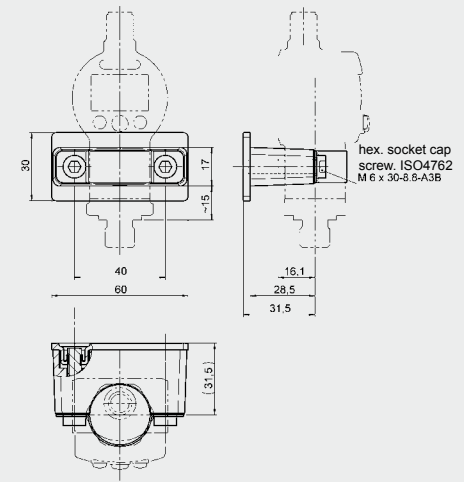
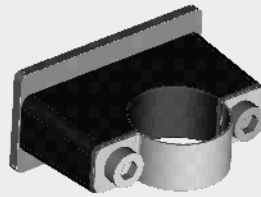


**ZBM 3100**

Clamp for wall-mounting  
- weld-type fitting -

(Material of welding bridge:  
QSTE340TM, zinc coating  
EN 12329 FE/ZN8/B;  
Material of lower section:  
TPE Santoprene 10187;  
Material of top section:  
Steel strip DIN 95381-1.4571)

Part No.: 3184632

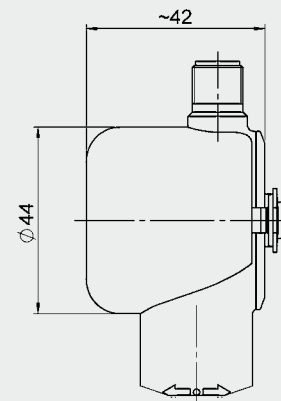


**ZBM 3200**

Splash guard

(Material:  
Elastollan S60 A15 SPF 000)

Part No.: 3201919



**Note:**

The information in this brochure relates to the operating conditions and applications described.

For applications and operating conditions not described, please contact the relevant technical department.

Subject to technical modifications.

**HYDAC** ELECTRONIC GMBH  
Hauptstraße 27, D-66128 Saarbrücken  
Telephone +49 (0)6897 509-01  
Fax +49 (0)6897 509-1726  
E-Mail: [electronic@hydac.com](mailto:electronic@hydac.com)  
Internet: [www.hydac.com](http://www.hydac.com)

