

HYDAC INTERNATIONAL



HYDAC Accessories: Buyer's Guide

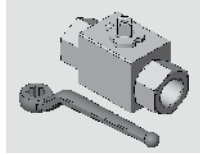


**Order direct
by telephone, fax or e-mail.**

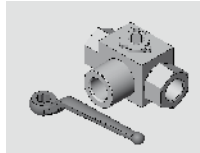
The benefits to you:

- Products immediately available,
- Easy to order using Part Number,
- Renowned "Made in Germany" quality,
- Over 40 years' experience in hydraulics.

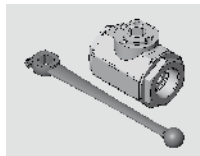
**HYDAC Accessories:
Product Range Overview**



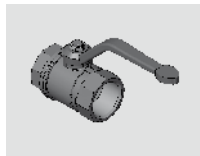
High Pressure Ball Valves,
Steel



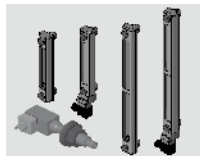
Change-Over Ball Valves,
Steel



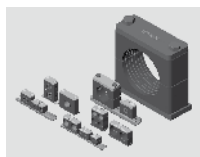
High Pressure Ball Valves,
Stainless steel



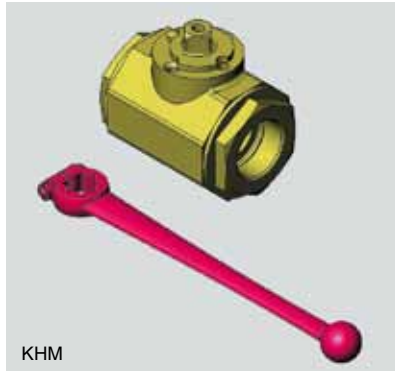
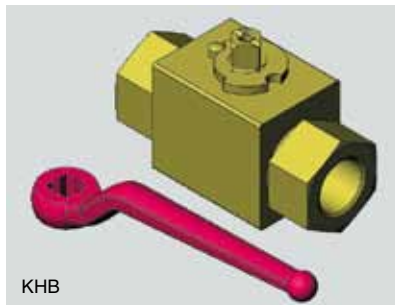
Low Pressure Ball Valves



Gauges, Switches



Mounting Clamps,
Overview



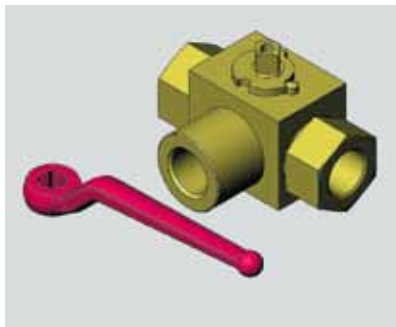
HYDAC Accessories: High Pressure Ball Valves, Steel

2/2-Way Ball Valve KHB / KHM Steel

Features:

- ▄ Seals: Ball (POM), O-ring (NBR)
- ▄ High pressure version up to 500 bar
- ▄ Full port
- ▄ Zinc-plated DN 04-25, Phosphate-plated DN 32-50
- ▄ Connections in G, LR, SR
- ▄ Temperature resistant from -10 °C – +80 °C
- ▄ Handle in aluminium (straight 01), Zinc die-cast (cranked 04)

Type of connection	DN	Type	Handle	Part No.	Length in mm	PN in bar	
G	06	KHB-G1/4	04	3288786	69	500	
	10	KHB-G3/8	04	700950	72	500	
	13	KHB-G1/2	04	851728	83	500	
	16	KHB-G1/2	01	855871	83	400	
	20	KHB-G3/4	01	552762	95	315	
	25	KHB-G1	01	850711	113	315	
	25	KHB-G1 1/4	01	562730	120	315	
	32	KHM-G1 1/4	01	700721	110	315	
	40	KHM-G1 1/2	01	700724	130	315	
	50	KHM-G2	01	700727	140	315	
	LR	04	KHB-06LR	04	3288754	67	500
		06	KHB-08LR	04	3288813	67	500
08		KHB-10LR	04	855967	74	500	
10		KHB-12LR	04	704200	74	500	
13		KHB-15LR	04	704800	82	500	
16		KHB-18LR	01	851913	82	400	
20		KHB-22LR	01	707868	101	315	
25		KHB-28LR	01	707869	108	315	
32		KHM-35LR	01	700573	141	315	
40		KHM-42LR	01	700576	162	315	
SR	04	KHB-08SR	04	3288829	73	500	
	06	KHB-10SR	04	3288837	73	500	
	08	KHB-12SR	04	855414	76	500	
	13	KHB-16SR	04	854996	86	500	
	16	KHB-20SR	01	700602	90	400	
	20	KHB-25SR	01	700819	109	315	
	25	KHB-30SR	01	707722	120	315	
	32	KHM-38SR	01	700658	153	315	



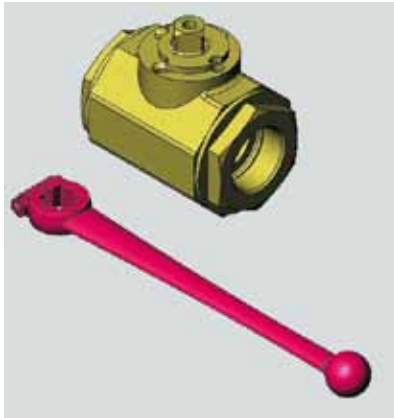
HYDAC Accessories: Change-Over Ball Valves, Steel

3/2-Way Ball Valve KHB3K-L Steel

Features:

- ▮ Seals: Ball (POM), O-ring (NBR)
- ▮ High pressure version up to 500 bar
- ▮ Full port
- ▮ Zinc-plated DN 04-25, Phosphate-plated DN 32-50
- ▮ Connections in G, LR, SR
- ▮ Temperature resistant from -10 °C – +80 °C
- ▮ Handle in aluminium (straight 01), Zinc die-cast (cranked 04)

Type of connection	DN	Type	Handle	Part No.	Length in mm	PN in bar
G	06	KHB3K-G1/4-L	04	3248008	69	500
	10	KHB3K-G3/8-L	04	703308	72	500
	13	KHB3K-G1/2-L	04	703309	83	500
	16	KHB3K-G1/2-L	01	557811	83	400
	20	KHB3K-G3/4-L	01	702891	95	315
	25	KHB3K-G1-L	01	398948	113	315
LR	08	KHB3K-10LR-L	04	3007101	74	500
	10	KHB3K-12LR-L	04	703307	74	500
	13	KHB3K-15LR-L	04	703373	82	500
SR	04	KHB3K-08SR-L	04	3289217	73	500
	06	KHB3K-10SR-L	04	3288900	73	500
	08	KHB3K-12SR-L	04	3015948	76	500
	13	KHB3K-16SR-L	04	3015950	86	500



HYDAC Accessories: High Pressure Ball Valves, Stainless Steel

2/2-Way Ball Valves KHM Stainless steel

Features:

- ▬ High pressure version up to 500 bar
- ▬ Full port
- ▬ Connections in G, LR, SR
- ▬ Temperature resistant from -20 °C – +80 °C
- ▬ Handle in aluminium (straight 01)
- ▬ Seals: Ball (POM), O-ring (VITON)

Type of connection	DN	Type	Handle	Part No.	Length in mm	PN in bar
G	06	KHM-G1/4	01	3146514	69	500
	10	KHM-G3/8	01	854863	72	500
	16	KHM-G1/2	01	398245	83	400
	20	KHM-G3/4	01	851545	95	315
	25	KHM-G1	01	851546	113	315
	32	KHM-G11/4	01	851547	110	315
	40	KHM-G11/2	01	851548	130	315
	50	KHM-G2	01	398246	140	315
LR	04	KHM-06LR	01	3289261	67	500
	06	KHM-08LR	01	3289263	67	500
	08	KHM-10LR	01	3178451	74	500
	10	KHM-12LR	01	3178452	74	500
	12	KHM-15LR	01	398238	82	400
	16	KHM-18LR	01	398239	82	400
	20	KHM-22LR	01	398240	101	315
	25	KHM-28LR	01	398242	108	315
SR	32	KHM-35LR	01	398243	141	315
	40	KHM-42LR	01	855253	162	315
	04	KHM-08SR	01	3289264	73	500
	06	KHM-10SR	01	3289275	73	500
	08	KHM-12SR	01	3178457	76	500
	12	KHM-16SR	01	851742	86	400
	16	KHM-20SR	01	700648	90	400
	20	KHM-25SR	01	851549	109	400
25	KHM-30SR	01	397753	120	315	
32	KHM-38SR	01	851550	153	315	



HYDAC Accessories: Low Pressure Ball Valves

2/2-Way Low Pressure Ball Valve KHNVN / KHNVS Brass

Features:

- Cost-competitive version
- Cranked handle in aluminium
- With PTFE sealing cups
- Suitable for water, air and nitrogen

DN	Type	Part No.	Length in mm	PN in bar
16	KHNVN-G1/2-2233-12X	702152	50.5	50
20	KHNVN-G3/4-2233-12X	702153	57.5	40
25	KHNVN-G1-2233-12X	702154	70	40
32	KHNVN-G11/4-2233-12X	702155	80.5	30
40	KHNVN-G11/2-2233-12X	702156	94	30
50	KHNVN-G2-2233-12X	702157	112.5	25
06	KHNVS-Rp1/4-2233-12X	702164	49.5	50
10	KHNVS-Rp3/8-2233-12X	702165	52.5	50
16	KHNVS-Rp1/2-2233-12X	551093	61	50
20	KHNVS-Rp3/4-2233-12X	551094	68	40
25	KHNVS-Rp1-2233-12X	551095	85	40
32	KHNVS-Rp11/4-2233-12X	551096	99.5	30
40	KHNVS-Rp11/2-2233-12X	551097	109	30
50	KHNVS-Rp2-2233-12X	551098	130	25
65	KHNVS-Rp21/2-2233-12X	702172	152	16
80	KHNVS-Rp3-2233-12X	702173	177	16
100	KHNVS-Rp4-2233-12X	702174	214	16



HYDAC Accessories: Low Pressure Ball Valves

2/2-Way Low Pressure Ball Valve KHNVN / KHNVS Stainless steel

Features:

- Cost-competitive version
- Cranked handle in stainless steel
- With PTFE sealing cups
- Suitable for water, air and nitrogen

DN	Type	Part No.	Length in mm	PN in bar
06	KHNVN-G1/4-3333-18X	398344	53.5	64
10	KHNVN-G3/8-3333-18X	398345	53.5	64
16	KHNVN-G1/2-3333-18X	398346	60	64
20	KHNVN-G3/4-3333-18X	398347	70	40
25	KHNVN-G1-3333-18X	398348	79	40
32	KHNVN-G11/4-3333-18X	398349	91	25
40	KHNVN-G11/2-3333-18X	397686	103	25
50	KHNVN-G2-3333-18X	398350	124	25
04	KHNVS-Rp1/8-3333-18X	702434	55.5	64
06	KHNVS-Rp1/4-3333-18X	702402	55.5	64
10	KHNVS-Rp3/8-3333-18X	702403	55.5	64
16	KHNVS-Rp1/2-3333-18X	702404	66	64
20	KHNVS-Rp3/4-3333-18X	702405	79	40
25	KHNVS-Rp1-3333-18X	702406	93	40
32	KHNVS-Rp11/4-3333-18X	702407	100	25
40	KHNVS-Rp11/2-3333-18X	702408	110	25
50	KHNVS-Rp2-3333-18X	702409	131	25



HYDAC Accessories: Gauges, Switches

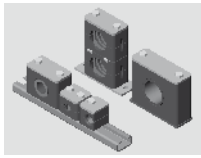
Fluid Level Gauge **FSA**
 Fluid Level Sensor **FSK**
 Temperature Switch **TS/TS-L**

Features:

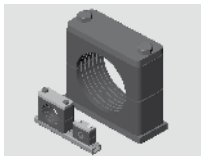
- ▄ Impact and scratch resistant
- ▄ Highly resistant to leakage
- ▄ Precise fluid level indication
- ▄ Excellent fluid level detection
- ▄ Operating temperature up to 80° C
- ▄ Highly reliable due to potted connector in protection class IP64

Type	Size = centre distance of bolts	Order code	Part No.	
FSA	NG 76	FSA-076-1.X/-/12	700000	
	NG 76	FSA-076-1.X/T/12	700004	
	NG 127	FSA-127-1.X/-/12	700036	
	NG 127	FSA-127-1.X/T/12	700040	
	NG 176	FSA-176-1.X/-/12	700113	
	NG 176	FSA-176-1.X/T/12	700116	
	NG 254	FSA-254-1.X/-/12	700072	
	NG 254	FSA-254-1.X/T/12	700076	
	NG 381	FSA-381-1.X/-/12	700095	
	NG 381	FSA-381-1.X/T/12	700125	
	TS	M 12	TS-60/X/12	3233817
		M 12	TS-70/X/12	3233820
		M 12	TS-80/X/12	3243251
	FSK	NG 127	FSK-127-2.5/C/-/12	3112276
NG 127		FSK-127-2.5/O/-/12	3070285	
NG 176		FSK-176-2.5/C/-/12	3112299	
NG 176		FSK-176-2.5/O/-/12	3112231	
NG 254		FSK-254-2.5/C/-/12	3112303	
NG 254		FSK-254-2.5/O/-/12	3112302	
NG 381		FSK-381-2.5/C/-/12	3112307	
NG 381		FSK-381-2.5/O/-/12	3112306	
TS-L		M 12	TS-L-60/X/12	3252752
		M 12	TS-L-70/X/12	3252766
	M 12	TS-L-80/X/12	3252767	

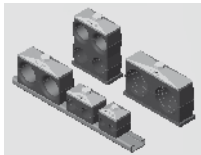
**HYDAC Accessories:
Mounting Clamps,
Overview**



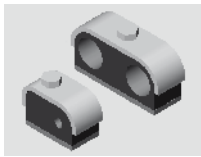
Light Range DIN 3015
Part 1



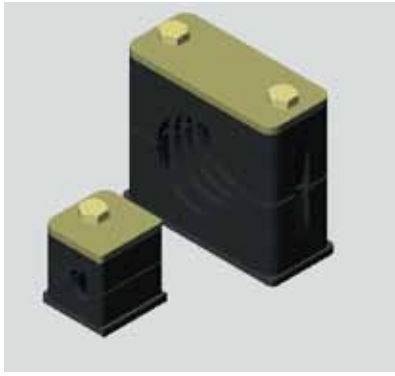
Heavy range DIN 3015
Part 2



Twin Clamps DIN 3015
Part 3



Buegu Clamp



HYDAC Accessories: Mounting Clamps

Light Range
DIN 3015 Part 1
Type: Internal surface ribbed

Features:

- I International standard
- I Worldwide availability

Size	Pipe diameter Ø in mm	Order code	Part No.
1	6	HRL 1 A 6 PP ST M BL	423127
	6.4	HRL 1 A 6.4 PP ST M BL	423128
	8	HRL 1 A 8 PP ST M BL	423129
	9.5	HRL 1 A 9.5 PP ST M BL	423130
	10	HRL 1 A 10 PP ST M BL	423131
	12	HRL 1 A 12 PP ST M BL	423132
2	12.7	HRL 2 A 12.7 PP ST M BL	423133
	13.7	HRL 2 A 13.7 PP ST M BL	423134
	14	HRL 2 A 14 PP ST M BL	423135
	15	HRL 2 A 15 PP ST M BL	423136
	16	HRL 2 A 16 PP ST M BL	423137
	17.1	HRL 2 A 17.1 PP ST M BL	423138
3	18	HRL 2 A 18 PP ST M BL	423139
	19	HRL 3 A 19 PP ST M BL	423140
	20	HRL 3 A 20 PP ST M BL	423141
	21.3	HRL 3 A 21.3 PP ST M BL	423142
	22	HRL 3 A 22 PP ST M BL	423143
	23	HRL 3 A 23 PP ST M BL	423144
4	25	HRL 3 A 25 PP ST M BL	423145
	25.4	HRL 3 A 25.4 PP ST M BL	423146
	26.9	HRL 4 A 26.9 PP ST M BL	423147
	28	HRL 4 A 28 PP ST M BL	423148
	30	HRL 4 A 30 PP ST M BL	423149
	5	32	HRL 5 A 32 PP ST M BL
33.7		HRL 5 A 33.7 PP ST M BL	423151
35		HRL 5 A 35 PP ST M BL	423152
38		HRL 5 A 38 PP ST M BL	423153
40		HRL 5 A 40 PP ST M BL	423154
42		HRL 5 A 42 PP ST M BL	423155
6	44.5	HRL 6 A 44.5 PP ST M BL	423156
	48.3	HRL 6 A 48.3 PP ST M BL	423157
	50.8	HRL 6 A 50.8 PP ST M BL	423158



HYDAC Accessories: Mounting Clamps

Light Range
DIN 3015 Part 1
Type: Internal surface smooth

Features:

- International standard
- Worldwide availability

Size	Pipe diameter Ø in mm	Order code	Part No.
1	6	HRGL 1 A 6 PP ST M BL	439815
	8	HRGL 1 A 8 PP ST M BL	439817
	9.5	HRGL 1 A 9.5 PP ST M BL	439818
	10	HRGL 1 A 10 PP ST M BL	439819
	12	HRGL 1 A 12 PP ST M BL	439820
2	12.7	HRGL 2 A 12.7 PP ST M BL	439875
	13.7	HRGL 2 A 13.7 PP ST M BL	439876
	14	HRGL 2 A 14 PP ST M BL	439877
	15	HRGL 2 A 15 PP ST M BL	439878
	16	HRGL 2 A 16 PP ST M BL	439879
	17.1	HRGL 2 A 17.1 PP ST M BL	439880
	18	HRGL 2 A 18 PP ST M BL	439881
3	19	HRGL 3 A 19 PP ST M BL	439945
	20	HRGL 3 A 20 PP ST M BL	439946
	21.3	HRGL 3 A 21.3 PP ST M BL	439947
	22	HRGL 3 A 22 PP ST M BL	439948
	23	HRGL 3 A 23 PP ST M BL	439949
	25	HRGL 3 A 25 PP ST M BL	439950
4	26.6	HRGL 4 A 26.6 PP ST M BL	440015
	28	HRGL 4 A 28 PP ST M BL	440016
	30	HRGL 4 A 30 PP ST M BL	440017
5	32	HRGL 5 A 32 PP ST M BL	440045
	33.7	HRGL 5 A 33.7 PP ST M BL	440046
	35	HRGL 5 A 35 PP ST M BL	440047
	38	HRGL 5 A 38 PP ST M BL	440048
	40	HRGL 5 A 40 PP ST M BL	440049
	42	HRGL 5 A 42 PP ST M BL	440050
6	48.3	HRGL 6 A 48.3 PP ST M BL	440106
	50.8	HRGL 6 A 50.8 PP ST M BL	440107



HYDAC Accessories: Mounting Clamps

Light Range
DIN 3015 Part 1
Type: With elastomer insert

Features:

- International standard
- Worldwide availability

Size	Pipe diameter Ø in mm	Order code	Part No.	
4	6	HREL 4 A 6 PP ST M BL	435001	
	8	HREL 4 A 8 PP ST M BL	435002	
	10	HREL 4 A 10 PP ST M BL	435003	
	12	HREL 4 A 12 PP ST M BL	435004	
	12.7	HREL 4 A 12.7 PP ST M BL	435005	
	14	HREL 4 A 14 PP ST M BL	435006	
	15	HREL 4 A 15 PP ST M BL	435007	
	16	HREL 4 A 16 PP ST M BL	435008	
	17.2	HREL 4 A 17.2 PP ST M BL	435009	
	18	HREL 4 A 18 PP ST M BL	444515	
	19	HREL 4 A 19 PP ST M BL	435010	
	6	20	HREL 6 A 20 PP ST M BL	435641
		22	HREL 6 A 22 PP ST M BL	435642
		25	HREL 6 A 25 PP ST M BL	435643
26.9		HREL 6 A 26.9 PP ST M BL	435644	
28		HREL 6 A 28 PP ST M BL	435645	
30		HREL 6 A 30 PP ST M BL	435646	
32		HREL 6 A 32 PP ST M BL	435647	



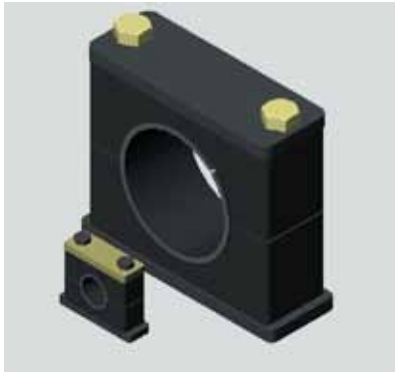
HYDAC Accessories: Mounting Clamps

Heavy Range
DIN 3015 Part 2
Type: Internal surface ribbed

Features:

- International standard
- Worldwide availability

Size	Pipe diameter Ø in mm	Order code	Part No.
1	6	HRS 1 S 6 PP ST M BL	420000
	6.4	HRS 1 S 6.4 PP ST M BL	420001
	8	HRS 1 S 8 PP ST M BL	420002
	9.5	HRS 1 S 9.5 PP ST M BL	420003
	10	HRS 1 S 10 PP ST M BL	420004
	12	HRS 1 S 12 PP ST M BL	420006
	12.7	HRS 1 S 12.7 PP ST M BL	420007
	13.7	HRS 1 S 13.7 PP ST M BL	420008
	14	HRS 1 S 14 PP ST M BL	420009
	15	HRS 1 S 15 PP ST M BL	420010
	16	HRS 1 S 16 PP ST M BL	420011
	17.1	HRS 1 S 17.1 PP ST M BL	420012
	18	HRS 1 S 18 PP ST M BL	420013
	2	19	HRS 2 S 19 PP ST M BL
20		HRS 2 S 20 PP ST M BL	420015
21.3		HRS 2 S 21.3 PP ST M BL	420016
22		HRS 2 S 22 PP ST M BL	420017
25		HRS 2 S 25 PP ST M BL	420018
25.4		HRS 2 S 25.4 PP ST M BL	420019
26.7		HRS 2 S 26.7 PP ST M BL	420020
28		HRS 2 S 28 PP ST M BL	420021
30		HRS 2 S 30 PP ST M BL	441349
3		25	HRS 3 S 25 PP ST M BL
	30	HRS 3 S 30 PP ST M BL	420022
	32	HRS 3 S 32 PP ST M BL	420023
	33.7	HRS 3 S 33.7 PP ST M BL	420024
	35	HRS 3 S 35 PP ST M BL	420025
	38	HRS 3 S 38 PP ST M BL	420026
	40	HRS 3 S 40 PP ST M BL	420027
	42	HRS 3 S 42 PP ST M BL	420028
4	30	HRS 4 S 30 PP ST M BL	420029
	38	HRS 4 S 38 PP ST M BL	420030
	42	HRS 4 S 42 PP ST M BL	420031
	44.5	HRS 4 S 44.5 PP ST M BL	420032
	48.3	HRS 4 S 48.3 PP ST M BL	420033
	50.8	HRS 4 S 50.8 PP ST M BL	420034
	54	HRS 4 S 54 PP ST M BL	420035
	57	HRS 4 S 57 PP ST M BL	420036
	60.3	HRS 4 S 60.3 PP ST M BL	420037
	63.5	HRS 4 S 63.5 PP ST M BL	441578
	65	HRS 4 S 65 PP ST M BL	420038
	70	HRS 4 S 70 PP ST M BL	420039



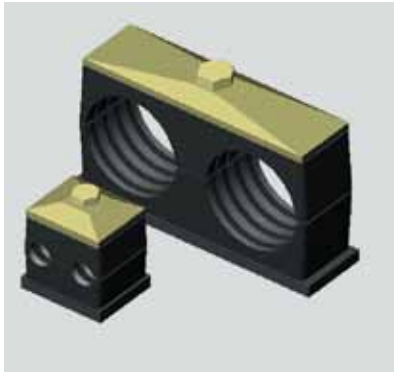
HYDAC Accessories: Mounting Clamps

Heavy Range
DIN 3015 Part 2
Type: With elastomer insert

Features:

- International standard
- Worldwide availability

Size	Pipe diameter Ø in mm	Order code	Part No.
2	6	HRES 2 S 6 PP ST M BL	433457
	8	HRES 2 S 8 PP ST M BL	433458
	10	HRES 2 S 10 PP ST M BL	433459
	12	HRES 2 S 12 PP ST M BL	433460
	12.7	HRES 2 S 12.7 PP ST M BL	433461
	14	HRES 2 S 14 PP ST M BL	433462
	15	HRES 2 S 15 PP ST M BL	433463
	16	HRES 2 S 16 PP ST M BL	433464
	17.2	HRES 2 S 17.2 PP ST M BL	433465
	18	HRES 2 S 18 PP ST M BL	443460
	19	HRES 2 S 19 PP ST M BL	433466
3	20	HRES 3 S 20 PP ST M BL	433577
	22	HRES 3 S 22 PP ST M BL	433578
	25	HRES 3 S 25 PP ST M BL	433579
	26.9	HRES 3 S 26.9 PP ST M BL	433580
	28	HRES 3 S 28 PP ST M BL	433581
	30	HRES 3 S 30 PP ST M BL	433582
	33.7	HRES 4 S 33.7 PP ST M BL	433661
4	35	HRES 4 S 35 PP ST M BL	433662
	38	HRES 4 S 38 PP ST M BL	433663
	40	HRES 4 S 40 PP ST M BL	433664
	42	HRES 4 S 42 PP ST M BL	433665
	45.5	HRES 4 S 45.5 PP ST M BL	433666
	48	HRES 4 S 48 PP ST M BL	433667
	51	HRES 4 S 51 PP ST M BL	433668
	53.4	HRES 4 S 53.4 PP ST M BL	433669
	56.4	HRES 4 S 56.4 PP ST M BL	433670
	5	60	HRES 5 S 60 PP ST M BL
65		HRES 5 S 65 PP ST M BL	436239
70		HRES 5 S 70 PP ST M BL	433782



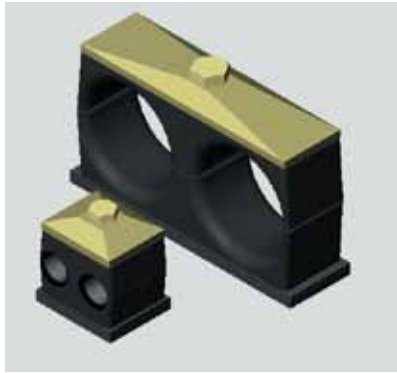
HYDAC Accessories: Mounting Clamps

Twin Clamps
DIN 3015 Part 3
Type: Internal surface ribbed

Features:

- I International standard
- I Worldwide availability

Size	Pipe diameter Ø in mm	Order code	Part No.
1	6	HRZ 1 A 6-6 PP ST M BL	430608
	8	HRZ 1 A 8-8 PP ST M BL	430610
	9.5	HRZ 1 A 9.5-9.5 PP ST M BL	430611
	10	HRZ 1 A 10-10 PP ST M BL	430612
	12	HRZ 1 A 12-12 PP ST M BL	430613
2	12.7	HRZ 2 A 12.7-12.7 PP ST M BL	430614
	13.7	HRZ 2 A 13.7-13.7 PP ST M BL	430615
	14	HRZ 2 A 14-14 PP ST M BL	430616
	15	HRZ 2 A 15-15 PP ST M BL	430617
	16	HRZ 2 A 16-16 PP ST M BL	430618
	17.1	HRZ 2 A 17.1-17.1 PP ST M BL	430619
	18	HRZ 2 A 18-18 PP ST M BL	430620
3	19	HRZ 3 A 19-19 PP ST M BL	430621
	20	HRZ 3 A 20-20 PP ST M BL	430622
	21.3	HRZ 3 A 21.3-21.3 PP ST M BL	430623
	22	HRZ 3 A 22-22 PP ST M BL	430624
	23	HRZ 3 A 23-23 PP ST M BL	430625
	25	HRZ 3 A 25-25 PP ST M BL	430626
4	25.4	HRZ 3 A 25.4-25.4 PP ST M BL	430627
	26.6	HRZ 4 A 26.6-26.6 PP ST M BL	430628
	28	HRZ 4 A 28-28 PP ST M BL	430629
	30	HRZ 4 A 30-30 PP ST M BL	430630
5	32	HRZ 5 A 32-32 PP ST M BL	430631
	35	HRZ 5 A 35-35 PP ST M BL	430633
	38	HRZ 5 A 38-38 PP ST M BL	430634



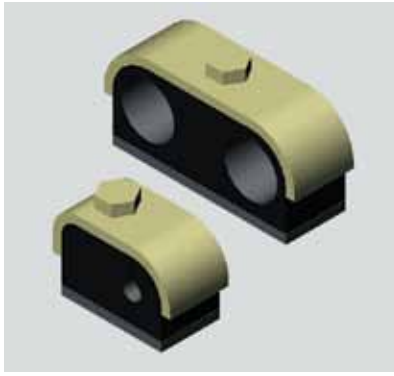
HYDAC Accessories: Mounting Clamps

Twin Clamps
DIN 3015 Part 3
Type: Internal surface smooth

Features:

- International standard
- Worldwide availability

Size	Pipe diameter Ø in mm	Order code	Part No.
1	6	HRGZ 1 A 6-6 PP ST M BL	3283242
	8	HRGZ 1 A 8-8 PP ST M BL	3283306
	10	HRGZ 1 A 10-10 PP ST M BL	3283307
	12	HRGZ 1 A 12-12 PP ST M BL	3283308
2	15	HRGZ 2 A 15-15 PP ST M BL	3094885
	16	HRGZ 2 A 16-16 PP ST M BL	443268
	18	HRGZ 2 A 18-18 PP ST M BL	443660
3	19	HRGZ 3 A 19-19 PP ST M BL	444032
	20	HRGZ 3 A 20-20 PP ST M BL	443266
	22	HRGZ 3 A 22-22 PP ST M BL	443659
	23	HRGZ 3 A 23-23 PP ST M BL	443552
	25	HRGZ 3 A 25-25 PP ST M BL	3255780
4	26.6	HRGZ 4 A 26.6-26.6 PP ST M BL	3142660
	30	HRGZ 4 A 30-30 PP ST M BL	3056357
5	32	HRGZ 5 A 32-32 PP ST M BL	3204419



HYDAC Accessories: Mounting Clamps

Buegu Clamps

Features:

- International standard
- Worldwide availability

Size	Pipe diameter Ø in mm	Order code	Part No.
0a	6	HRBGS 0a A 6 TPE ST M BL	441418
	8	HRBGS 0a A 8 TPE ST M BL	441419
	10	HRBGS 0a A 10 TPE ST M BL	441420
	12	HRBGS 0a A 12 TPE ST M BL	441421
0b	14	HRBGS 0b A 14 TPE ST M BL	441422
	15	HRBGS 0b A 15 TPE ST M BL	441480
	16	HRBGS 0b A 16 TPE ST M BL	441423
	19	HRBGS 0b A 19 TPE ST M BL	442666
	20	HRBGS 0b A 20 TPE ST M BL	444344
1	6 - 6	HRBGS 1 A 6-6 TPE ST M BL	441492
	8 - 8	HRBGS 1 A 8-8 TPE ST M BL	441985
	12 - 12	HRBGS 1 A 12-12 TPE ST M BL	441427
2	14 - 14	HRBGS 2 A 14-14 TPE ST M BL	3087396
	15 - 15	HRBGS 2 A 15-15 TPE ST M BL	441486
	16 - 16	HRBGS 2 A 16-16 TPE ST M BL	441430
	18 - 18	HRBGS 2 A 18-18 TPE ST M BL	441431
	19 - 19	HRBGS 2 A 19-19 TPE ST M BL	444869
	20 - 20	HRBGS 2 A 20-20 TPE ST M BL	441432



HYDAC Accessories: Your Contacts

HYDAC Accessories GmbH

Hirschbachstraße 2
66280 Sulzbach / Saar
Germany

Phone: +49 (0) 6897 509-01

Fax: +49 (0) 6897 509-1009

E-mail: accessories@hydac.com

Internet: www.hydac.com

For a contact near you, please check the
HYDAC Sales Network page on our website.

