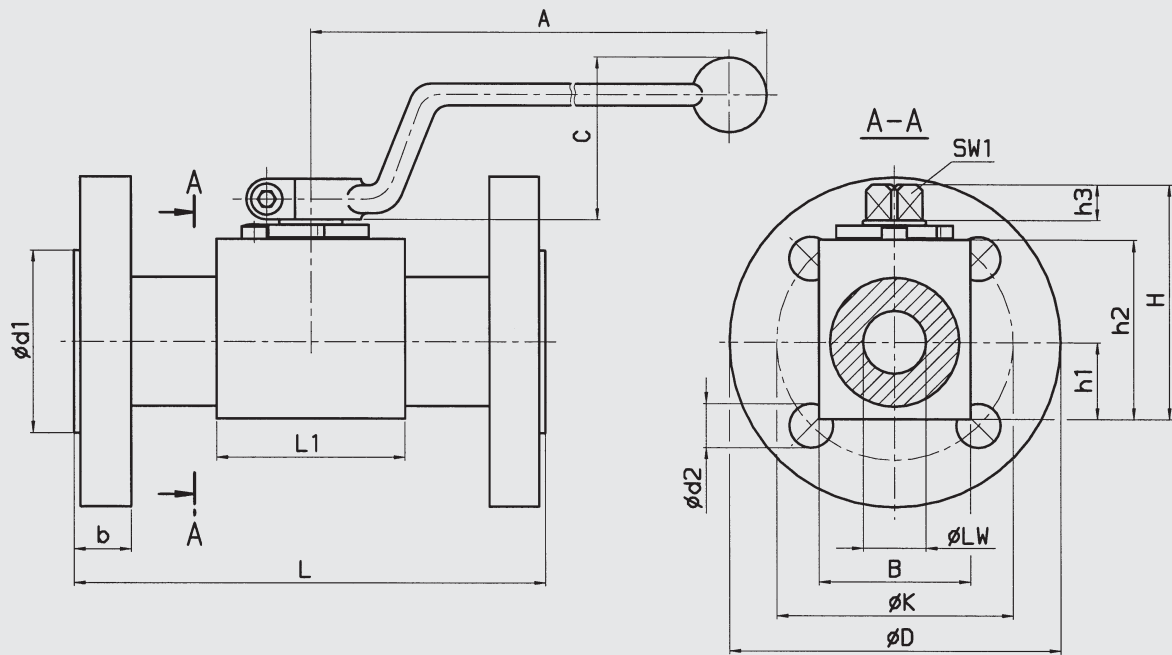
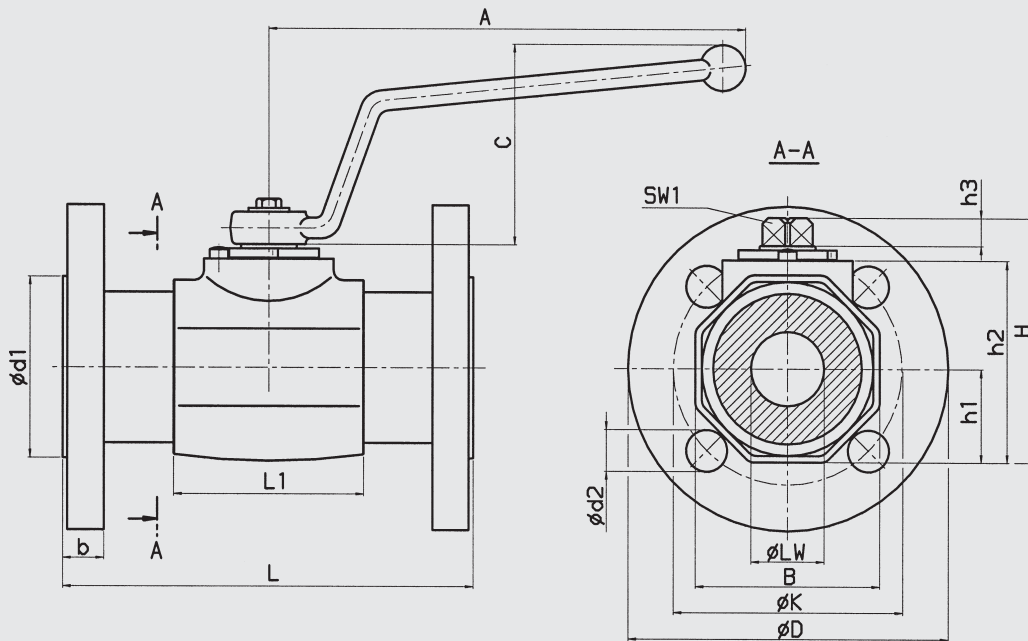


Dimensions

KHBF



KHMF / KHMFF



| Version | Housing dimensions | | | | | | | | | | | PN (Ball valve) [bar] |
|---|--------------------|-----|-----|-------|------|------|------|----|-----|-----|-----|-----------------------------|
| | DN | LW | L1 | B | H | h1 | h2 | h3 | SW1 | A | C | |
| Block housing KHBF DN16-25 (steel) | 16 | 15 | 47 | 38 | 62 | 19 | 45 | 11 | 12 | 185 | 47 | 400 |
| | 20 | 20 | 60 | 48 | 75 | 24.5 | 57 | 11 | 14 | 203 | 54 | 315 |
| | 25 | 25 | 65 | 57 | 81.5 | 28.5 | 64 | 11 | 14 | 203 | 54 | 315 |
| Sleeve housing KHMF / KHMFF DN16-50 (stainless steel) DN32-50 (steel) | 16 | 15 | 46 | 45 | 66.5 | 22.5 | 48.5 | 11 | 12 | 185 | 47 | 400 |
| | 20 | 20 | 58 | 55 | 78 | 27.5 | 60 | 11 | 14 | 203 | 54 | 315 |
| | 25 | 25 | 64 | 60 | 83.5 | 30 | 65.5 | 11 | 14 | 203 | 54 | 315 |
| | 32 | 30 | 84 | 75 | 103 | 38 | 85 | 12 | 17 | 228 | 80 | 315 |
| | 40 | 38 | 91 | 85 | 114 | 43 | 96 | 12 | 17 | 228 | 80 | 315 |
| 50 | 48 | 100 | 105 | 131.5 | 53 | 113 | 12 | 17 | 228 | 80 | 315 | |

E 5.502.14/06.03

| Type of connection /sealing strip | Type | Press. range PN [bar] | L | D | d1 | d2 | K | b | Z* | Weight [kg] | |
|-----------------------------------|--|-------------------------|-----|-----|-----|-----|-----|-----|------|-------------|------|
| F1 (FTF, basic range 1) | Flange connection DIN 2501, Form E | KHBF - 16 | 40 | 130 | 95 | 45 | 14 | 65 | 16 | 4 | 2.2 |
| | | KHMFF - 16 | 160 | 130 | 105 | 45 | 14 | 75 | 20 | 4 | 3.0 |
| | | | 315 | 130 | 130 | 45 | 18 | 90 | 26 | 4 | 4.1 |
| | KHBF - 20 KHMFF - 20 | 40 | 150 | 105 | 58 | 14 | 75 | 18 | 4 | 3.4 | |
| | | KHBF - 25 KHMFF - 25 | 40 | 160 | 115 | 68 | 14 | 85 | 18 | 4 | 5.0 |
| | | | 160 | 160 | 140 | 68 | 18 | 100 | 24 | 4 | 7.1 |
| | | | 250 | 160 | 150 | 68 | 22 | 105 | 28 | 4 | 8.6 |
| | KHMFF - 32 | 315 | 160 | 160 | 68 | 22 | 115 | 34 | 4 | 9.2 | |
| | | 40 | 180 | 140 | 78 | 18 | 100 | 18 | 4 | 7.3 | |
| | | 160 | 180 | 155 | 78 | 22 | 110 | 26 | 4 | 10.0 | |
| | KHMFF - 40 | 40 | 200 | 150 | 88 | 18 | 110 | 18 | 4 | 9.5 | |
| | | 160 | 200 | 170 | 88 | 22 | 125 | 28 | 4 | 13.0 | |
| | | 250 | 200 | 185 | 88 | 26 | 135 | 34 | 4 | 15.5 | |
| | | 315 | 200 | 195 | 88 | 26 | 145 | 38 | 4 | 17.5 | |
| | KHMFF - 50 | 40 | 230 | 165 | 102 | 18 | 125 | 20 | 4 | 13.1 | |
| 63 | | 230 | 180 | 102 | 22 | 135 | 26 | 4 | 18.0 | | |
| 160 | | 230 | 195 | 102 | 26 | 145 | 30 | 4 | 23.5 | | |
| 250 | | 230 | 200 | 102 | 26 | 150 | 38 | 8 | 28.5 | | |
| KHMFF - 50 | 315 | 230 | 210 | 102 | 26 | 160 | 42 | 8 | 31.0 | | |
| | Flange connection DIN 2501, Form E | KHMFF - 32 | 40 | 130 | 140 | 78 | 18 | 100 | 18 | 4 | 6.1 |
| | | KHMFF - 40 | 40 | 140 | 150 | 88 | 18 | 110 | 18 | 4 | 7.7 |
| | | KHMFF - 50 | 40 | 150 | 165 | 102 | 18 | 125 | 20 | 4 | 10.7 |

z* = Number of fixing holes

Technical details

| | | |
|----------------------------------|--|----------------------------------|
| Length: | DIN-EN 558-1 - FTF, basic range 1 (DIN 3202 – F1, long version) DIN-EN 558-1 - FTF, basic range 14 (DIN 3202 – F4, short version) | |
| Flange dimensions: | DIN 2501, Form E | |
| Flange connections: | rotating flanges | |
| Mounting position: | optional | |
| Ambient temperature: | -10 °C to +80 °C | |
| Nominal pressure: | up to PN 315 bar (see pressure range) | |
| Operating fluids: | mineral oil to DIN 51524 Part 1 + 2 (other media on request) | |
| Temperature of operating fluids: | -10 °C to +80 °C | |
| Spare parts: | seal kit (on request) | |
| Accessories: | all ball valves can be supplied with following options: | Actuator Limit switch Lock |

Note

The information in this brochure relates to the operating conditions and applications described.
For applications or operating conditions not described, please contact the relevant technical department.
Subject to technical modifications.