

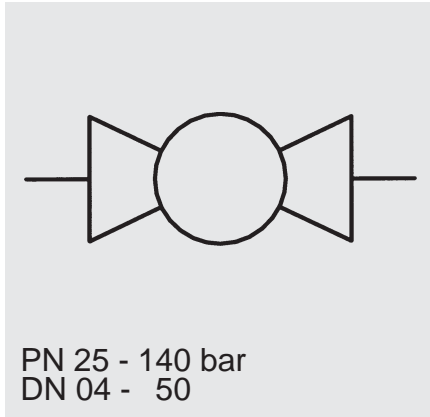


Stainless Steel Low Pressure Ball Valves

KHNVN / KHNVS

Model code
(also order example)

KHNVS Rp 1/2 3333 18 X



Designation

KHNVN – low pressure ball valve - standard model
KHNVS – low pressure ball valve - heavy-duty model

Type of connection

Thread size

Material codes

KHNVN / VS

3	3	3	3
Stainless steel (AISI 316)	Stainless steel (AISI 316)	Synthetic material (PTFE)	Synthetic material (PTFE)
Housing	Ball	Sealing cups	Seals
Control spindle			

Handle

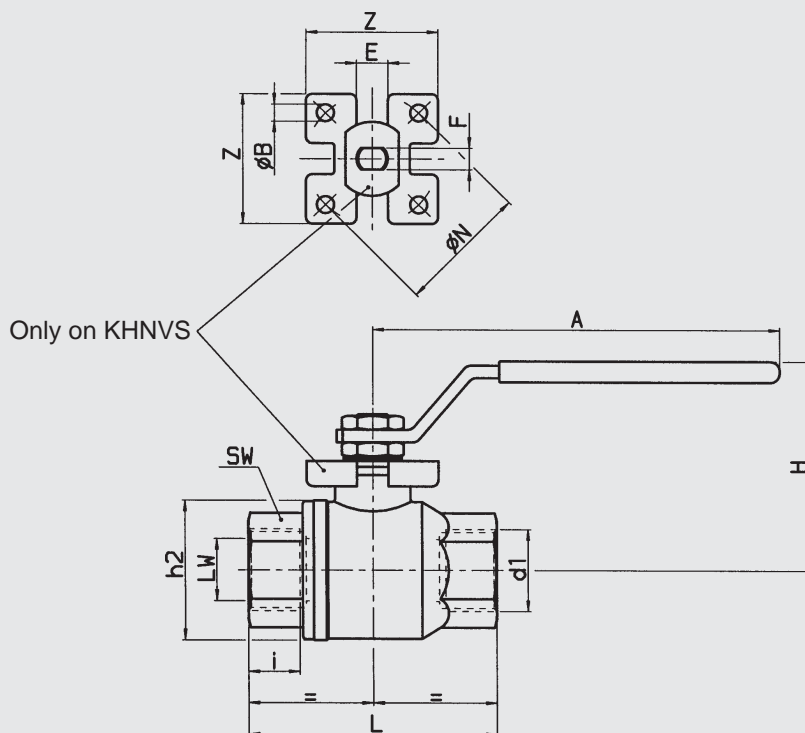
18 = stainless steel handle, cranked, fitted

Series

(Determined by manufacturer)

Dimensions

KHNVN / KHNVS



Type	d1	Nominal bore DN	ϕLW	PN (bar)	i	L	$\phi h2$	H	A	SW	Weight (kg)	Stock no.:
KHNVN	G1/4	06	8	64	10	53.5	30	44.5	111	22	0.22	398344
KHNVN	G3/8	10	10	64	10	53.5	30	44.5	111	22	0.20	398345
KHNVN	G1/2	16	15	64	13	60	32.5	47	111	27	0.25	398346
KHNVN	G3/4	20	20	40	14	70	40	54.5	132	32	0.45	398347
KHNVN	G1	25	25	40	17	79	49	58.5	132	41	0.85	398348
KHNVN	G1 1/4	32	32	25	19	91	62	70	175	50	1.20	398349
KHNVN	G1 1/2	40	40	25	19.5	103	75	76.5	175	55	1.80	397686
KHNVN	G2	50	50	25	22.5	124	95	86	175	70	2.70	398350

Type	d1	Nominal bore DN	ϕLW	PN (bar)	i	L	$\phi h2$	H	A	SW	Weight (kg)	Stock no.:
KHNVS	Rp1/8	04	8	140	7.4	55.5	30	50	111	22	0.25	702434
KHNVS	Rp1/4	06	10	140	11	55.5	30	50	111	22	0.24	702402
KHNVS	Rp3/8	10	10	140	11.4	55.5	30	50	111	22	0.22	702403
KHNVS	Rp1/2	16	15	140	15	66	36	53	111	27	0.30	702404
KHNVS	Rp3/4	20	20	105	16.3	79	45	68	132	32	0.50	702405
KHNVS	Rp1	25	25	105	19.1	93	54	77	175	41	0.95	702406
KHNVS	Rp1 1/4	32	32	64	21.4	100	64	83	175	50	1.30	702407
KHNVS	Rp1 1/2	40	40	64	21.4	110	80	100	250	55	2.10	702408
KHNVS	Rp2	50	50	64	25.7	131	95	108	250	70	3.30	702409

Type	d1	ØB	F	E	ØN	Z
KHNVS	Rp1/8	–	5	8	–	–
KHNVS	Rp1/4	5.5	5	8	36F03	36
KHNVS	Rp3/8	5.5	5	8	36F03	36
KHNVS	Rp1/2	5.5	5	8	36F03	36
KHNVS	Rp3/4	5.5	7	10	42F04	42
KHNVS	Rp1	5.5	8	12	42F04	42
KHNVS	Rp1 1/4	5.5	8	12	42F04	42
KHNVS	Rp1 1/2	6.5	10	16	50F05	50
KHNVS	Rp2	8.5	10	16	50F05	50

Technical specifications:

Type of connection:	Whitworth female thread to ISO 228 (G) Whitworth female thread to ISO 7/1 (Rp)
Mounting position:	optional
Ambient temperature:	-20 °C to + 160 °C
Nominal pressure:	up to PN 140 bar
Operating media:	mineral oil to DIN 51524 Part 1 & 2, gaseous media, compressed air, water Other media on request
Temperature of operating media:	-20 °C to + 160 °C

Accessories	All ball valves can be supplied with the following options: Actuator Limit controls Lock
--------------------	---

Note:

The information in this brochure relates to the operating conditions and applications described.

For applications or operating conditions not described, please contact the relevant technical department.

Subject to technical modifications.