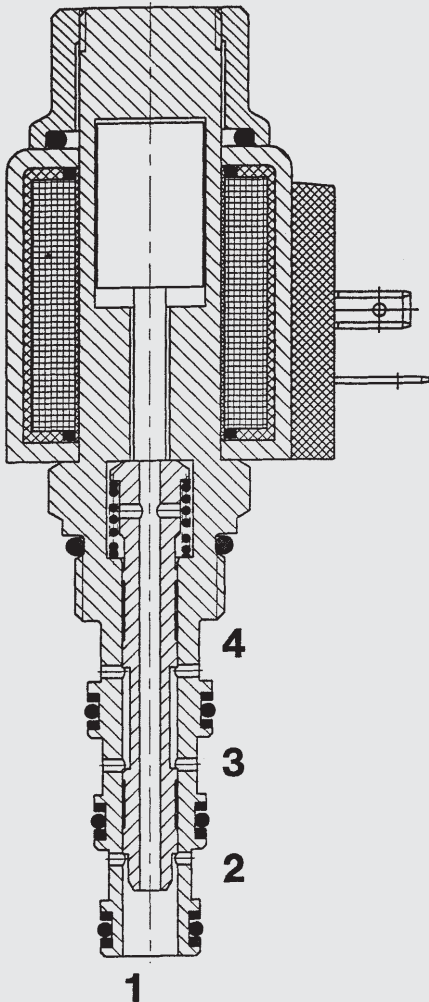


19 l/min
350 bar

FUNCTION



In the de-energized mode, the valve allows flow from 3 to 4 or 4 to 3 and from 2 to 1 or 1 to 2. When energized, the valve blocks all directions.

4/2-Solenoid Directional Valve SAE 8-Cartridge - 350 bar

WK08A-01
SPOOL Type - Direct Operated

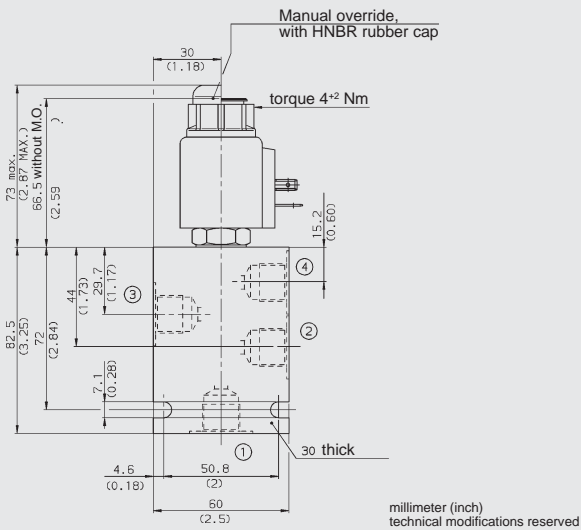
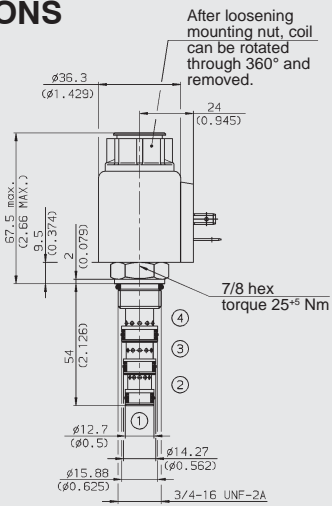
FEATURES

- Wet armature solenoid
- Wide voltage tolerance
- All surfaces zinc-plated and corrosion-proof
- Waterproof design standard
- Wide variety of coils and connectors available
- One piece body design

SPECIFICATIONS

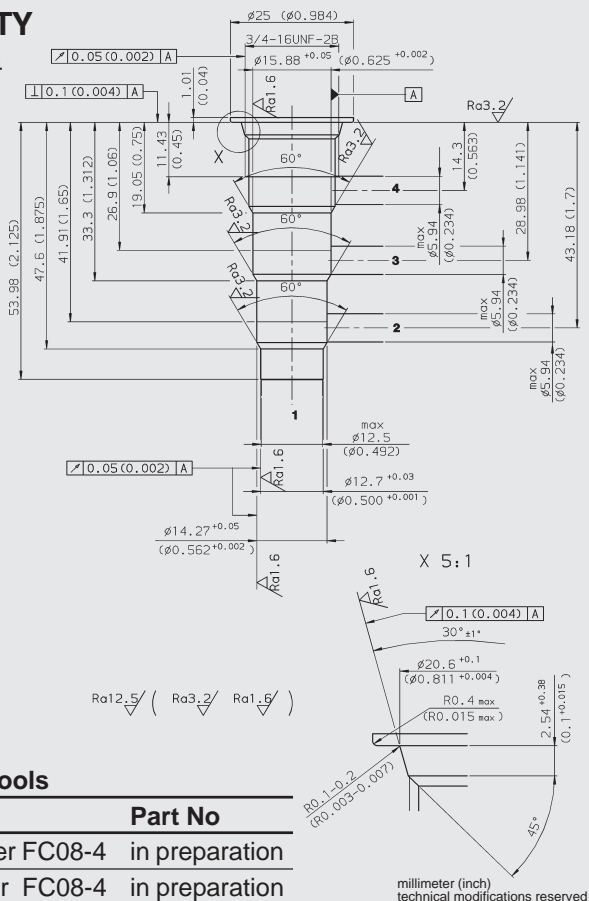
| | |
|------------------------------|---|
| Operating Pressure: | 350 bar |
| Proof Pressure: | 520 bar |
| Nominal Flow: | 19 l/min Consult factory for flow ratings above 207 bar |
| Internal Leakage: | 90 cm ³ /min max at 250 bar and 34 cSt |
| Media Operating Temp. Range: | -20 °C to +120 °C |
| Ambient Temp. Range: | -20 °C to +60 °C |
| Coil Duty Rating: | Continuous from 85% to 115% of nominal voltage |
| Current Draw at 20 °C: | 1.5 amps at 12 V DC 0.8 amps at 24 V DC |
| Minimum Pull-in Voltage: | 85 % of nominal |
| Fluids: | Mineral-based or synthetics with lubricating properties |
| Viscosity: | 7.4 to 420 cSt |
| Filtration: | Class 21/19/16 according to ISO 4406 or cleaner |
| Material: | Valve body: carbon steel Spool: carbon steel Seals: NBR (standard) FKM (optional) Steel/Polyamide |
| Cavity: | FC08-4 |
| Weights: | Valve complete: 380 g Coil only: 190 g |

DIMENSIONS



CAVITY

FC08-4



Form tools

| Tool | Part No |
|-----------------|----------------|
| Rougher FC08-4 | in preparation |
| Finisher FC08-4 | in preparation |

MODEL CODE

WK08A-01 M - C - N - 24 DG

Basic Model

Option

Omission = No Option
M = Manual Override

Body and Ports*

C = Cartridge Only
SB3 = 3/8 BSP ports, steel body
SS6 = SAE-6 ports, steel body
AB3 = 3/8 BSP ports, aluminium body
AS6 = SAE-6 ports, aluminium body

Seals

N = NBR
V = FKM

Coil Voltage

DC

10 = 10 V DC
12 = 12 V DC
24 = 24 V DC
36 = 36 V DC
48 = 48 V DC
110 = 110 V DC available with termination DG only

AC (internally full wave rectified)

24 = 24 V AC
115 = 115 V AC
230 = 230 V AC

Coil Connector

DC: DG = DIN Connector (DIN 43650)
DS = Dual Spade SAEJ858a
DL = Leadwires (2) - 457mm (18") long
DW = Weather Pack Connector on leadwires - 241 mm (9.5") long
DK = Kostal connector
DT = 2-pole AMP Junior Timer plug
AC: AG = DIN Connector (DIN 43650)

Standard models

| Model code | Stock no. |
|--------------------|-----------|
| WK08A-01-C-N-24DG | 3022017 |
| WK08A-01-C-N-230AG | 3043866 |

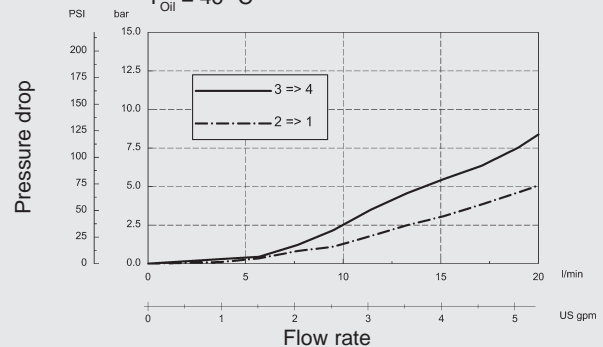
* Standard Line Bodies

| Code | Part No | Material | Ports | Pressure |
|-----------|---------|---------------------------|---------|----------|
| FH084-SB3 | 563383 | Steel, zinc-plated | 3/8 BSP | 420 bar |
| FH084-SS6 | 563381 | Steel, zinc-plated | SAE-6 | 420 bar |
| FH084-AB3 | 3011407 | Aluminium, clear anodized | 3/8 BSP | 245 bar |
| FH084-AS6 | 3011404 | Aluminium, clear anodized | SAE-6 | 245 bar |

PERFORMANCE (Cartridge Only)

Measured at 34 cSt

T_{Oil} = 46 °C



NOTE

The information in this brochure relates to the operating conditions and applications described. For applications or operating conditions not described, please contact the relevant technical department. Subject to technical modifications.

HYDAC Fluidtechnik GmbH
Justus-von-Liebig-Str.
D-66280 Sulzbach/Saar
Tel: 0 68 97 /509-01
Telefax: 0 68 97 /509-598
E-Mail: flutec@hydac.com