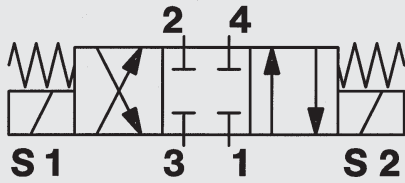


4/3-Solenoid Directional Valve Closed Center SAE 10-Cartridge – 350 bar

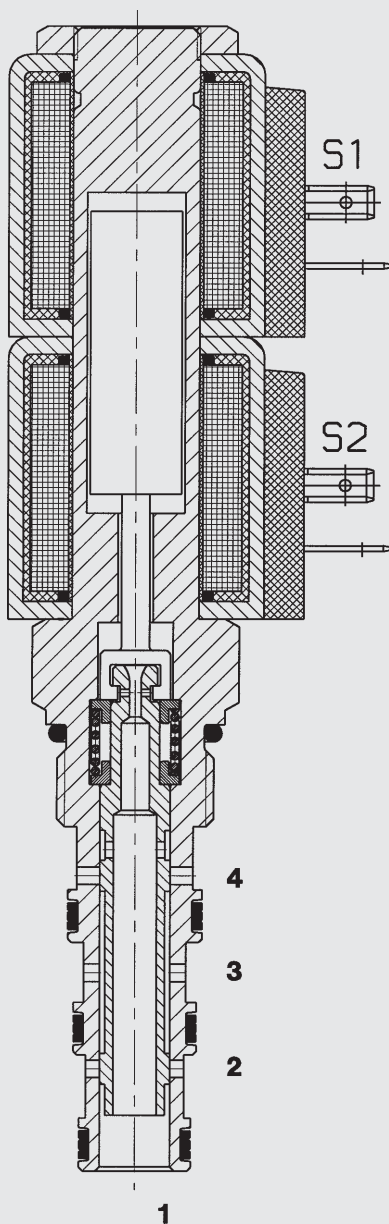
WK10E-01

SPOOL Type - Direct Operated



23 l/min
350 bar

FUNCTION



In the de-energized mode all ports are blocked.

When coil S1 is energized, flow is allowed from 3 to 4 and from 2 to 1.

When coil S2 is energized, flow is allowed from 3 to 2 and from 4 to 1.

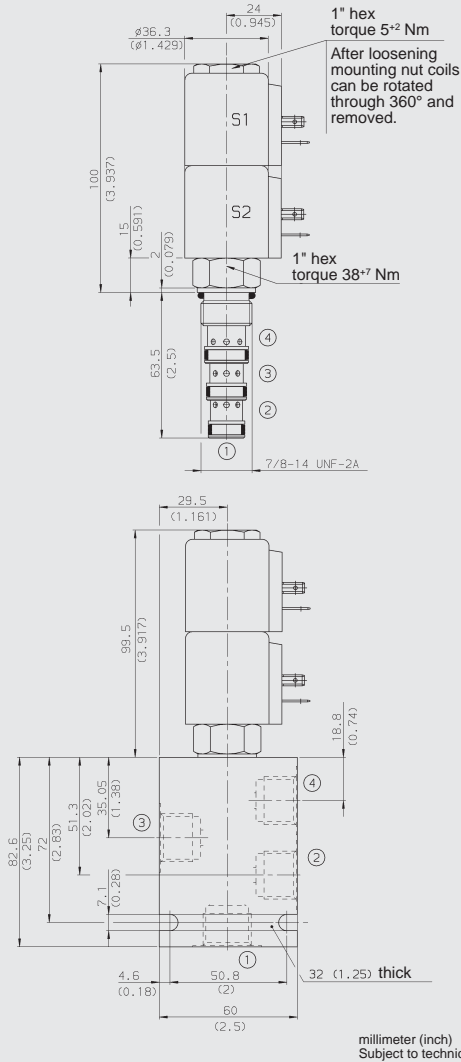
FEATURES

- Wet armature solenoid
- Wide voltage tolerance
- Compact size
- All surfaces zinc-plated and corrosion-proof
- Waterproof design standard
- Wide variety of coils and connectors available
- One piece body design

SPECIFICATIONS

Operating pressure:	350 bar
Proof pressure:	520 bar
Nominal flow:	23 l/min Consult manufacturer for flow ratings above 207 bar
Internal leakage:	160 cm ³ /min max at 207 bar and 34 cSt
Media operating temp. range:	-20 °C to +120 °C
Ambient temp. range:	-20 °C to +60 °C
Coil duty rating:	Continuous from 90% to 115% of nominal voltage
Current draw at 20 °C:	1.5 amps at 12 V DC 0.8 amps at 24 V DC
Minimum pull-in voltage:	90 % of nominal
Fluids:	Mineral-based or synthetics with lubricating properties
Viscosity:	7.4 to 420 cSt
Filtration:	Class 21/19/16 according to ISO 4406 or cleaner
Material:	Valve body: carbon steel Spool: carbon steel Seals: NBR (standard) FKM (optional) Steel/Polyamide
Cavity:	FC10-4
Weights:	Valve complete: 670 g Coil only (2 required): 190 g

DIMENSIONS



millimeter (inch)
Subject to technical modifications.

MODEL CODE

WK10E-01 - C - N - 24 DG

Basic Model

Body and Ports*

- C = Cartridge only
- SB4 = 1/2 BSP ports, steel body
- SS8 = SAE-8 ports, steel body
- AB4 = 1/2 BSP ports, aluminium body
- AS8 = SAE-8 ports, aluminium body

Seals

- N = NBR
- V = FKM

Coil Voltage

DC

- 10 = 10 V DC
- 12 = 12 V DC
- 24 = 24 V DC
- 36 = 36 V DC
- 48 = 48 V DC
- 110 = 110 V DC available with DG termination only

AC (internally full wave rectified)

- 24 = 24 V AC
- 115 = 115 V AC
- 230 = 230 V AC

Coil Connector

- DC: DG = DIN Connector (DIN 43650)
- DS = Dual Spade SAEJ858a
- DL = Leadwires (2) - 457mm (18") long
- DW = Weather Pack Connector on leadwires - 241 mm (9.5") long
- DK = Kostal connector
- DT = 2-pole AMP Junior Timer plug

AC: AG = DIN Connector (DIN 43650)

Standard models

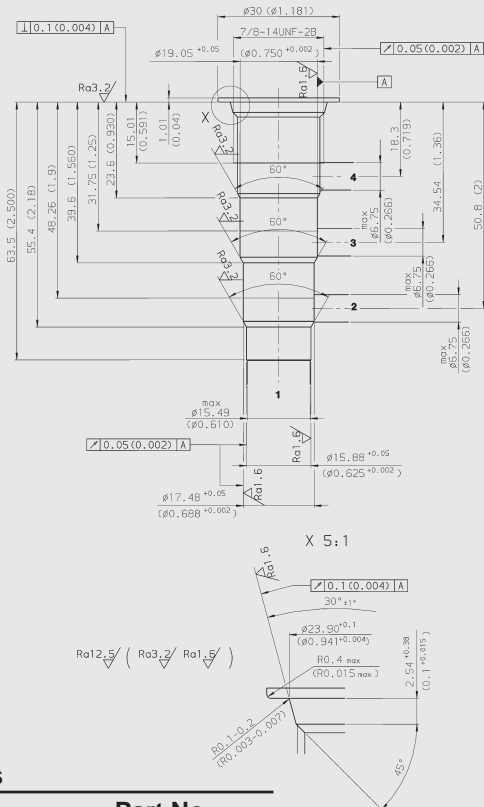
Model code	Stock no.
WK10E-01-C-N-24DG	3044428
WK10E-01-C-N-230AG	3044426

* Standard Line Bodies

Code	Part No	Material	Ports	Pressure
FH104-SB4	3037784	Steel, zinc-plated	1/2 BSP	420 bar
FH104-SS8	3037868	Steel, zinc-plated	SAE-8	420 bar
FH104-AB4	3038097	Aluminium, clear anodized	1/2 BSP	245 bar
FH104-AS8	3038110	Aluminium, clear anodized	SAE-8	245 bar

CAVITY

FC10-4

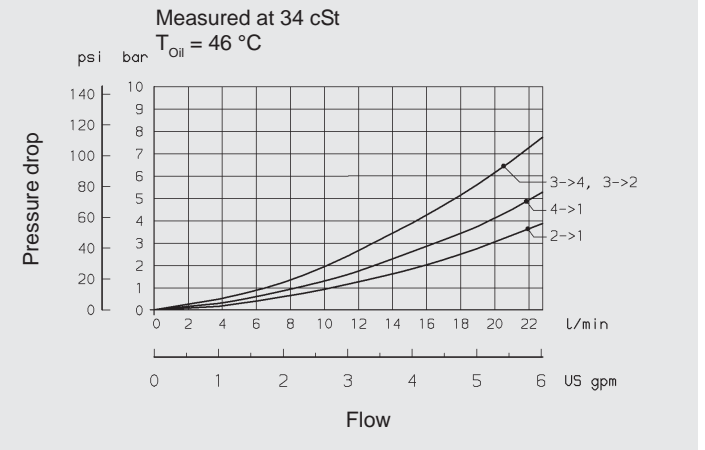


millimeter (inch)
Subject to technical modifications.

Form tools

Tool	Part No
Rougher FC10-4	in preparation
Finisher FC10-4	in preparation

PERFORMANCE (Cartridge Only)



NOTE

The information in this brochure relates to the operating conditions and applications described. For applications or operating conditions not described, please contact the relevant technical department. Subject to technical modifications.

HYDAC Fluidtechnik GmbH

Justus-von-Liebig-Str.
D-66280 Sulzbach/Saar
Tel: 0 68 97 /509-01
Telefax: 0 68 97 /509-598
E-Mail: flutec@hydac.com