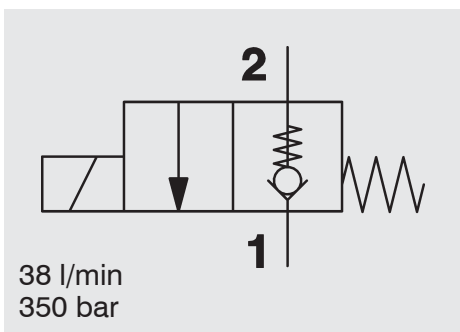


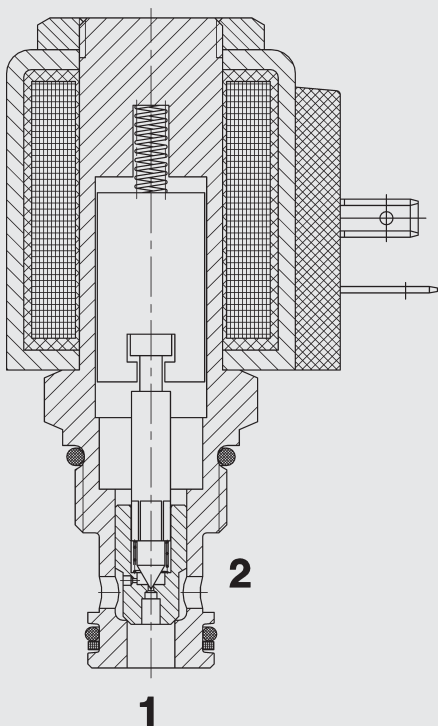
Solenoid Directional Valve SAE 8-Cartridge - 350 bar

2/2-Normally Closed
WS081Z-01

Poppet Type - Pilot Operated



FUNCTION



In the de-energized mode, the valve blocks flow from 2 to 1 and acts as a check allowing flow from 1 to 2.

When energized, the valve allows flow from 2 to 1. Flow from 1 to 2 is severely restricted in this mode.

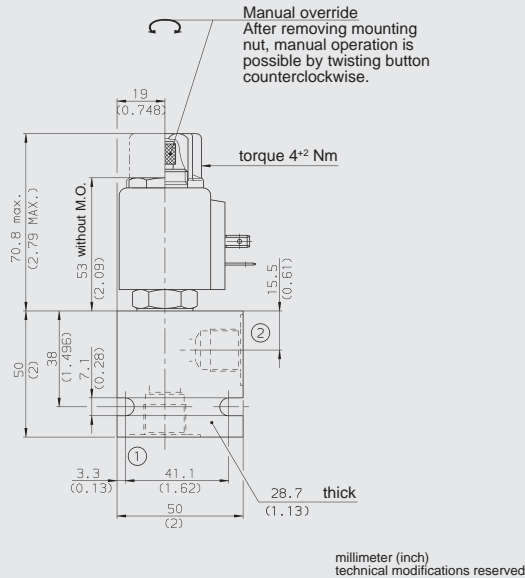
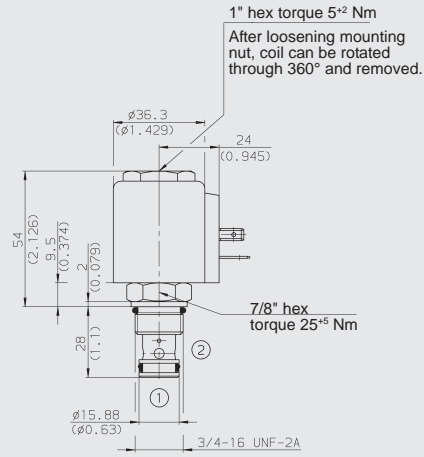
FEATURES

- Wet armature solenoid
- Wide voltage tolerance
- All valve parts made of high-strength steel with hardened and ground components to ensure minimal wear and to extend service life
- All surfaces zinc-plated and corrosion-proof
- Waterproof design standard
- Wide variety of coils and connectors available
- One piece body design

SPECIFICATIONS

Operating pressure:	350 bar
Proof pressure:	520 bar
Nominal flow:	38 l/min
Internal leakage:	leakfree (less than 5 drops/min) at 350 bar
Media operating temp. range:	-20 °C to +120 °C
Ambient temp. range:	-20 °C to +60 °C
Coil duty rating:	Continuous from 85% to 115% of nominal voltage
Current draw at 20 °C:	1.5 amps at 12 V DC 0.8 amps at 24 V DC
Minimum pull-in voltage:	85 % of nominal
Response time:	Energized: 35 ms De-energized: 50 ms typical 24 V DC-coil
Fluids:	Mineral-based or synthetics with lubricating properties
Viscosity:	7.4 to 420 cSt
Filtration:	Class 21/19/16 according to ISO 4406 or cleaner
Installation:	No orientation restrictions
Material:	Valve body: carbon steel Piston: carbon steel Seals: NBR (standard) FPM (optional) Steel/Polyamide
Cavity:	FC081-2
Weights:	Valve complete: 330 g Coil only: 190 g

DIMENSIONS



MODEL CODE

WS081Z-01 M - C - N - 24 DG

Basic Model

Option

Omission = No Option
M = Manual Override

Body and Ports*

C = Cartridge Only
SB3 = 3/8 BSP ports, steel body
SS6 = SAE-6 ports, steel body
AB3 = 3/8 BSP ports, aluminium body
AS6 = SAE-6 ports, aluminium body

Seals

N = NBR
V = FKM

Coil Voltage

DC

10 = 10 V DC
12 = 12 V DC
24 = 24 V DC
36 = 36 V DC
48 = 48 V DC
110 = 110 V DC available with DG termination only
AC (internally full wave rectified)

24 = 24 V AC
115 = 115 V AC
230 = 230 V AC

Coil Connector

DC: DG = DIN Connector (DIN 43650)
DS = Dual Spade SAEJ858a
DL = Leadwires (2) - 457mm (18") long
DW = Weather Pack Connector on leadwires - 241 mm (9.5") long
DK = Kostal connector
DT = 2-pole AMP Junior Timer plug
AC: AG = DIN Connector (DIN 43650)

Standard models

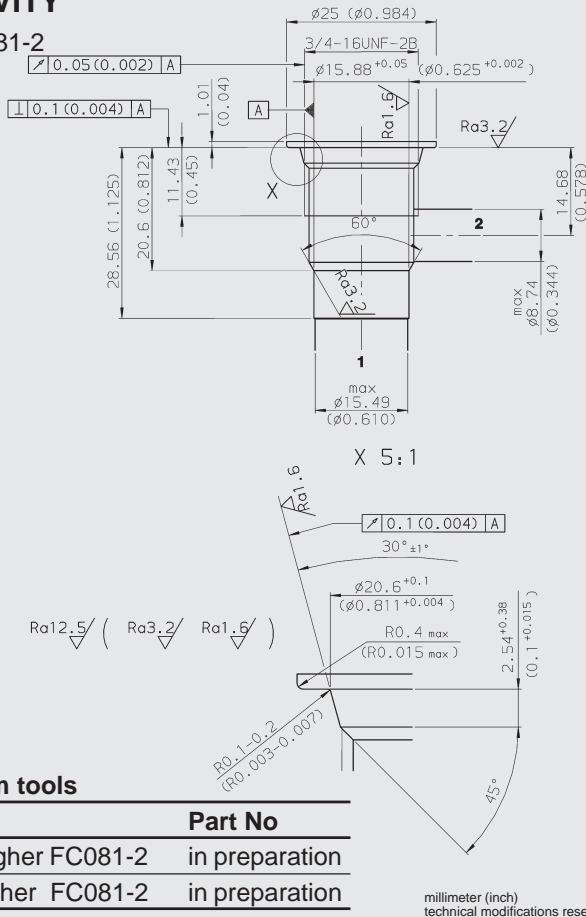
Model code	Stock no.
WS081Z-01-C-N-24DG	3119077
WS081Z-01-C-N-230AG	3119168

* Standard Line Bodies

Code	Part No	Material	Ports	Pressure
FH0812-SB3	3067468	Steel, zinc-plated	3/8 BSP	420 bar
FH0812-SS6	3067471	Steel, zinc-plated	SAE-6	420 bar
FH0812-AB3	3067477	Aluminium, clear anodized	3/8 BSP	245 bar
FH0812-AS6	3067518	Aluminium, clear anodized	SAE-6	245 bar

CAVITY

FC081-2

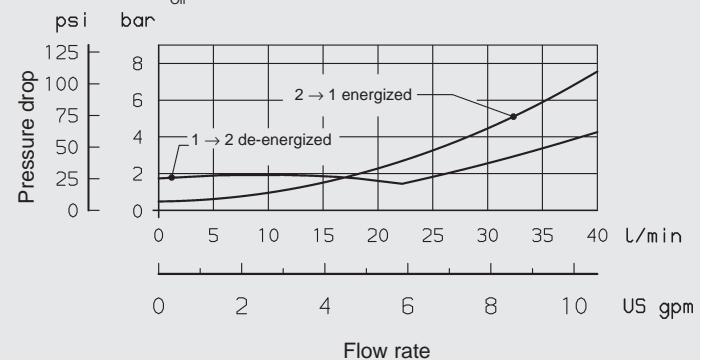


Form tools

Tool	Part No
Rougher FC081-2	in preparation
Finisher FC081-2	in preparation

PERFORMANCE (Cartridge Only)

Measured at 34 cSt
T_{Oil} = 46 °C



NOTE

The information in this brochure relates to the operating conditions and applications described. For applications or operating conditions not described, please contact the relevant technical department. Subject to technical modifications.

HYDAC Fluidtechnik GmbH
Justus-von-Liebig-Str.
D-66280 Sulzbach/Saar
Tel: 0 68 97 /509-01
Telefax: 0 68 97 /509-598
E-Mail: flutec@hydac.com