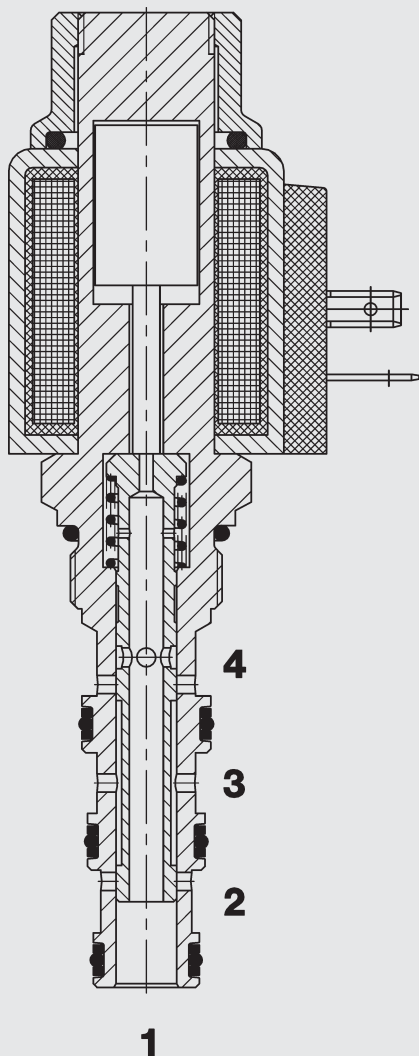


Up to 25 l/min
Up to 350 bar

FUNCTION



When the solenoid coil is not energized, all ports are closed.

When the solenoid coil is energized, there is free flow through the valve from port 3 to 2 or from 2 to 3 and also from port 4 to 1 or from 1 to 4.

4/2 Directional Spool Valve Solenoid Actuated, Direct Operated Cartridge Valve - 350 bar

WKM08140EB-01

GENERAL

- Oil-immersed armature for long life and low noise operation.
- Solenoid operation for all common international AC and DC voltages and available with many electrical connection types.
- Minimal wear and long life due to hardened and polished control spool.
- Solenoid coils can be rotated through 360° and replaced with no possibility of oil leakage.
- Surfaces are zinc-plated.
- Built-in seals protect solenoid coil from water penetration.
- Compact construction enables space-saving installation in connection housings and control blocks.

SPECIFICATIONS

Operating pressure:	Max. 350 bar
Flow rate:	Max. 25 l/min
Internal leakage:	Max. 150 cm ³ /min at 250 bar
Temperature range of operating fluid:	-20 °C up to + 120 °C
Ambient temperature range:	-20 °C up to + 60 °C
Type of voltage:	DC solenoid, AC voltage is rectified using a bridge rectifier built into the coil
Nominal voltage at 20 °C:	1.5 A at 12 V DC 0.8 A at 24 V DC
Voltage tolerance:	-15% up to +15%
Duty cycle:	100% (continuous)
Switching time:	On: approx. 40 ms Off: approx. 30 ms
Operating fluid:	Hydraulic oil to DIN 51524 Part 1 and 2
Viscosity range:	10 mm ² /s to 420 mm ² /s is recommended
Filtration:	Max. permissible contamination level of the operating fluid to ISO 4406 Class 21/19/16
Mounting position:	Optional
Materials:	Valve body: high tensile steel Spool: hardened and polished steel Seals: NBR (standard) FKM (optional) Back-up rings in PTFE
Cavity:	08140
Weight:	Valve complete: 0.38 kg Coil only: 0.19 kg

