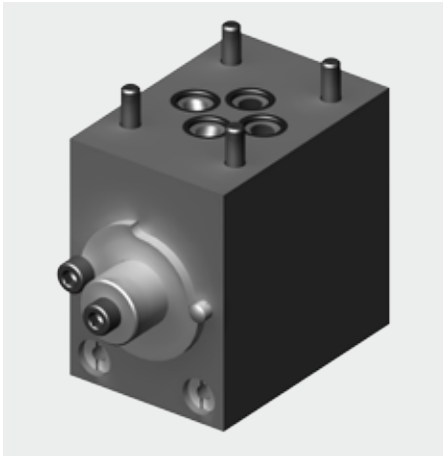
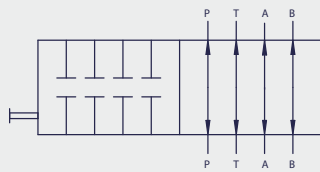


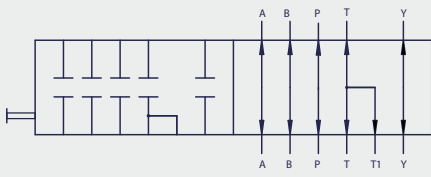
## Isolator Sandwich Plate CETOP



Symbol DN 06



Symbol DN 10



### Model code

(also order example)

**KHB4K** **DN10** **CETOP** **5302** **09** **X**

### Designation

KHB4K = 4-gallery isolator ball valve  
KHB6K = 6-gallery isolator ball valve

### Nominal bore

DN06  
DN10

### Connection type

CETOP

### Materials

#### Housing

1 = steel 1.0718 (DN06)  
5 = steel 1.0570 (DN10)

#### Spindle

3 = stainless steel 1.4462

#### Gasket

0 = metal

#### O-ring

2 = NBR

### Handle

09 = without handle

### Series

(determined by manufacturer)

## Function

The sandwich plate is mounted before DN06/DN10 directional valves and is used to isolate all channels at the same time via a common spindle. This is operated manually using an open-ended spanner SW9. This means that the directional valve mounted on the sandwich plate can be changed quickly without having to relieve the pressure or drain the system, and with a minimum of leakage.

In normal operation, all channels are open. The spindle is secured and locked with two screws to prevent unauthorized operation.

## Advantages

- Reduction in downtimes for hydraulic systems
- Minimum of internal leakage during normal operation
- Minimum of leakage during the short time when the valve is being replaced
- Not necessary to vent the line after changing the components
- Components can be changed without risk of accidents because all the channels are isolated

## Technical specifications

Design	Sandwich plate
Mounting position	Optional
Medium	Mineral oil
Viscosity range	10 to 380 mm <sup>2</sup> /s
Leakage rate	1 ml / min at 160 bar / 35°C
Surface protection	Phosphated
Applied standards	PED 97/93/EC; DIN EN 19; ISO 4401, DIN 24340-T2

### KHB4K-DN06-1302-09X

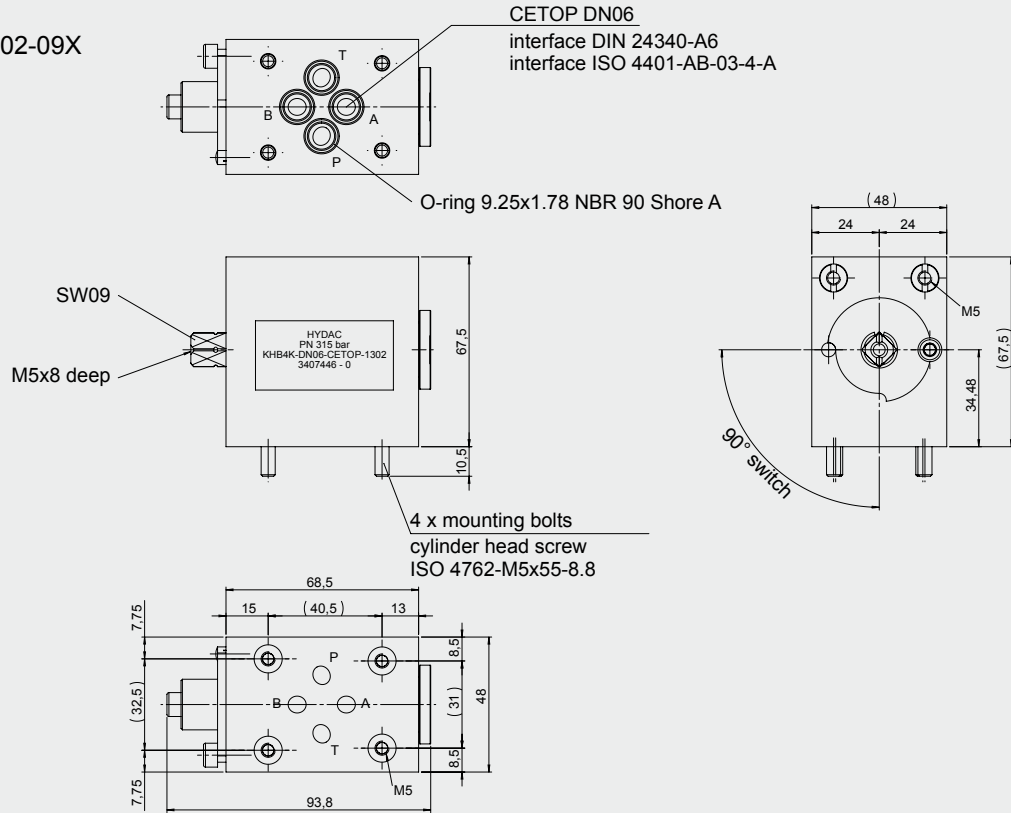
Connection type	CETOP DN06
Interface	DIN 24340-A6 ISO 4401
Temperature of the medium	-10°C to + 70°C
Ambient temperature	-10°C to + 70°C
Nominal pressure	PN 315 bar
Max. operating pressure	PB 315 bar

### KHB6K-DN10-5302-09X

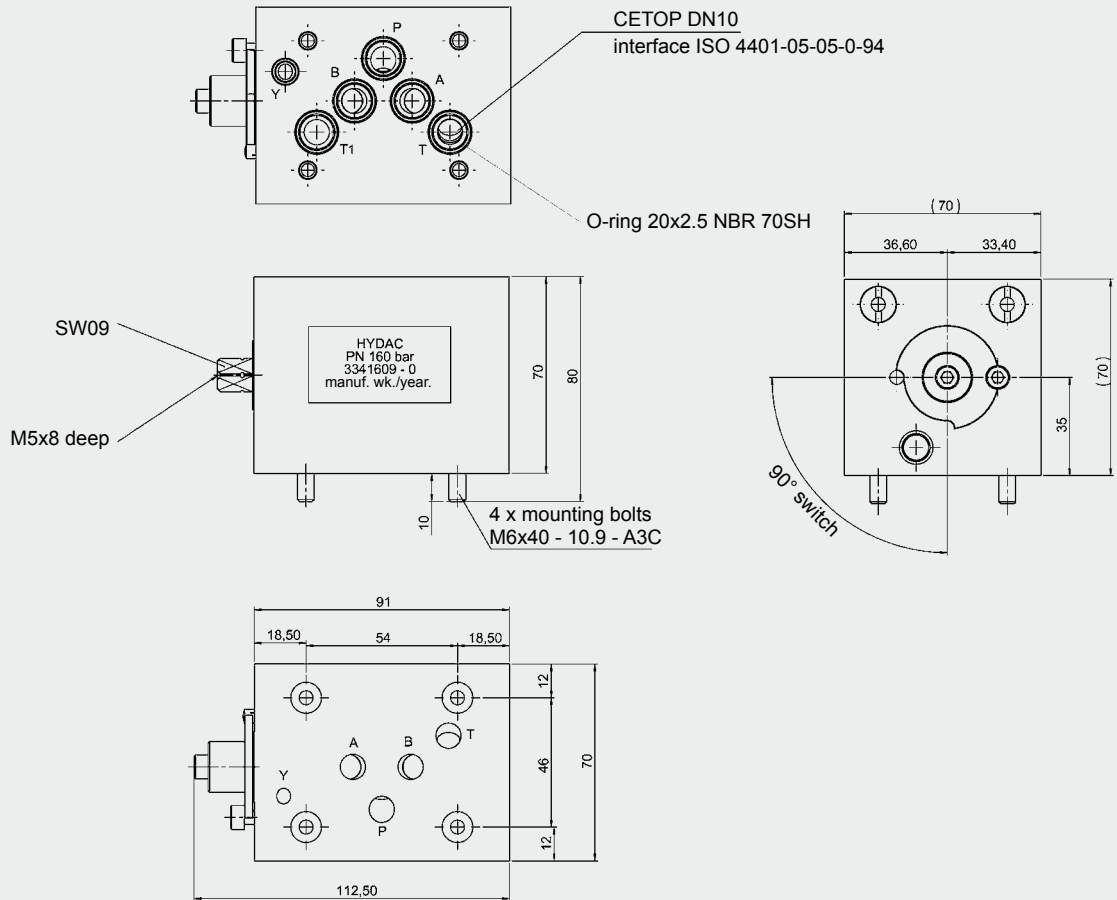
Connection type	CETOP DN10
Interface	DIN 24340-A10 ISO 4401
Temperature of the medium	+30°C to + 60°C
Ambient temperature	-20°C to + 70°C
Nominal pressure	PN 160 bar
Max. operating pressure	PB 160 bar

## Dimensions

KHB4K-DN06-CETOP-1302-09X



KHB4K-DN10-CETOP-5302-09X



## NOTE

The information in this brochure relates to the operating conditions and applications described.

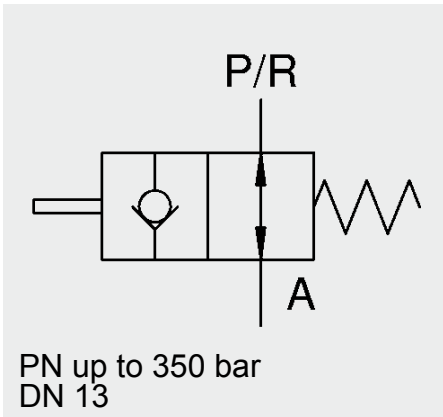
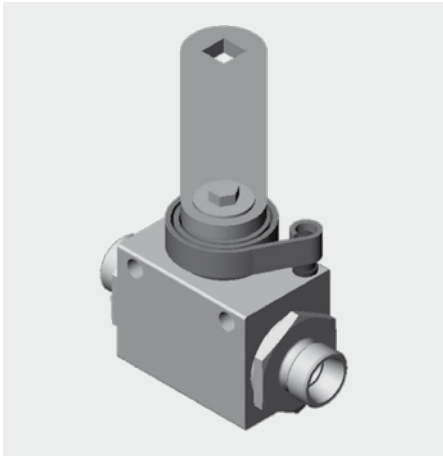
For applications or operating conditions not described, please contact the relevant technical department.

Subject to technical modifications.

**HYDAC** Accessories GmbH  
 Hirschbachstr. 2  
**66280 Sulzbach/Saar**  
 Tel.: +49 (0)6897 - 509-1001  
 Fax: +49 (0)6897 - 509-1009  
 Internet: [www.hydac.com](http://www.hydac.com)  
 E-Mail: [info@hydac.com](mailto:info@hydac.com)



## Spring Return Isolator HKHB



### Model code

(also order example)

HKHB 12LR 1112 09X A CCW OK 0°

### Designation

HKHB = Block ball valve with 2 mounting holes  $\varnothing 6.5$ , 37.5mm apart, 5mm from top edge of block and spring return.

### Type of connection

LR = threaded connection - light range DIN 2353  
SR = threaded connection - heavy range DIN 2353  
Other types of connection on request

### Materials

*Housing, connection adapters and control spindle*

1 = steel

*Ball*

1 = steel

*Ball seal*

1 = POM

*Control spindle seal*

2 = NBR ( Perbunan )

### Handle

15 = steel bolt-on handle, straight

09 = without handle

### Surface protection

A = zinc-plated, chrome (VI)-free

### Switching direction

CW = clockwise

CCW = anti-clockwise

### Ball valve

*Ball valve port*

O = open

C = closed

*Handle*

L = long

K = short

### Handle position

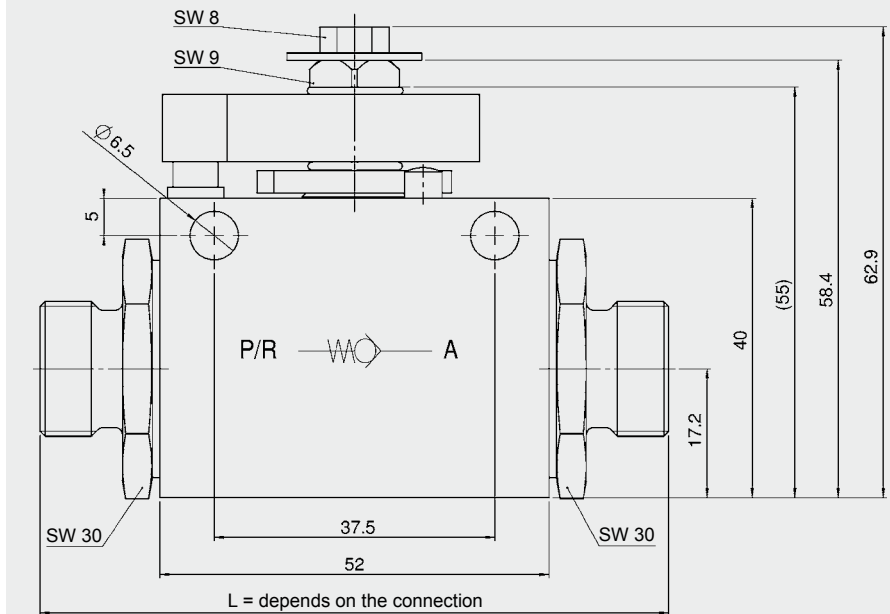
0° ..... 315°

(see Order Form)

## APPLICATION

- Controlled by a spring, this valve shuts off the pressure line, thereby accurately limiting the cylinder stroke,
- e.g. for tipping cylinders on truck bodies, tail-lifts and agricultural machinery hydraulics

## DIMENSIONS

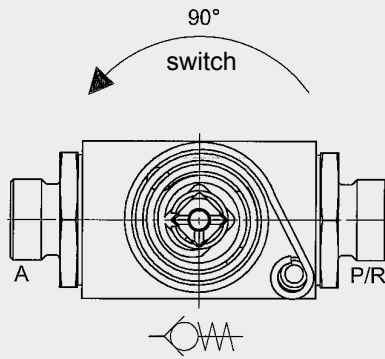
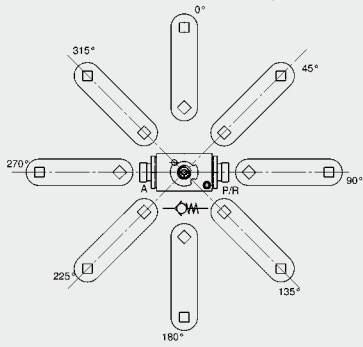


### Technical specifications

DN/Nominal bore	13
Connection	10L, 12L and 15L
Operating pressure	350 bar
Medium	Hydraulic oil
Temperature of the medium	-10°C to + 80°C
Housing width	35 mm
Handle	short 75mm (100x25x4) long 125mm (150x25x4)
Reset torque	2 Nm
End position	8 Nm

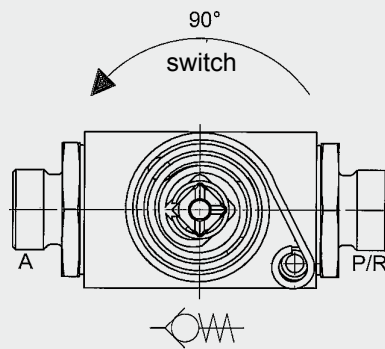
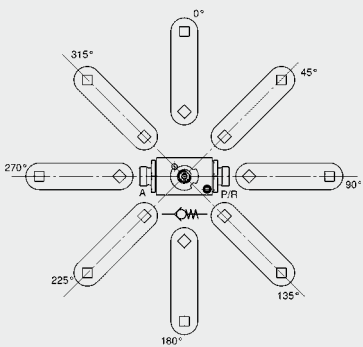
# ORDER FORM

## Handle position



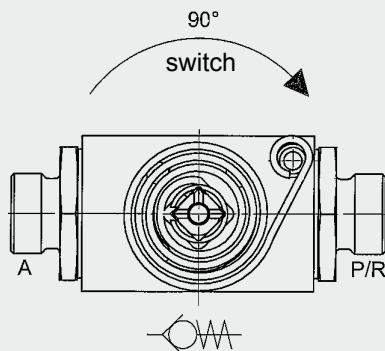
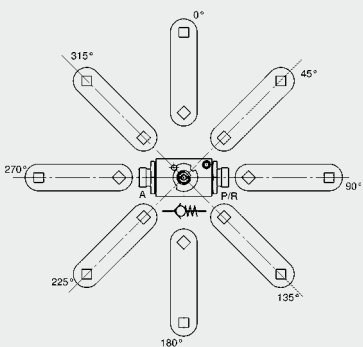
- 
- Open
- Anti-clockwise CCW
- Connection: 10L
- 12L
- 15L
- 10SR
- Handle: short
- long
- Handle position: .....°

## Handle position



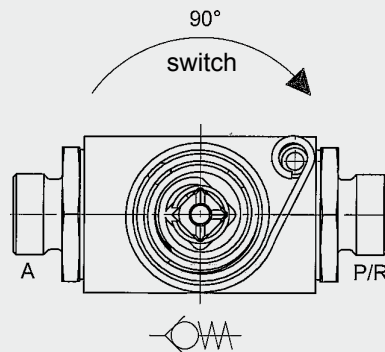
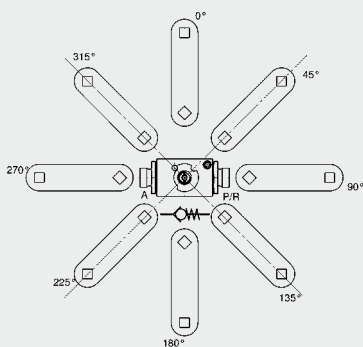
- 
- Closed
- Anti-clockwise CCW
- Connection: 10L
- 12L
- 15L
- 10SR
- Handle: short
- long
- Handle position: .....°

## Handle position



- 
- Open
- Clockwise CW
- Connection: 10L
- 12L
- 15L
- 10SR
- Handle: short
- long
- Handle position: .....°

## Handle position



- 
- Closed
- Clockwise CW
- Connection: 10L
- 12L
- 15L
- 10SR
- Handle: short
- long
- Handle position: .....°

## NOTE

The information in this brochure relates to the operating conditions and applications described.

For applications or operating conditions not described, please contact the relevant technical department.

Subject to technical modifications.

**HYDAC** Accessories GmbH  
 Hirschbachstr. 2  
**66280 Sulzbach/Saar**  
 Tel.: +49 (0)6897 - 509-1001  
 Fax: +49 (0)6897 - 509-1009  
 Internet: [www.hydac.com](http://www.hydac.com)  
 E-Mail: [info@hydac.com](mailto:info@hydac.com)

