

Supports for Hydraulic Accumulators



1. DESCRIPTION

1.1. GENERAL

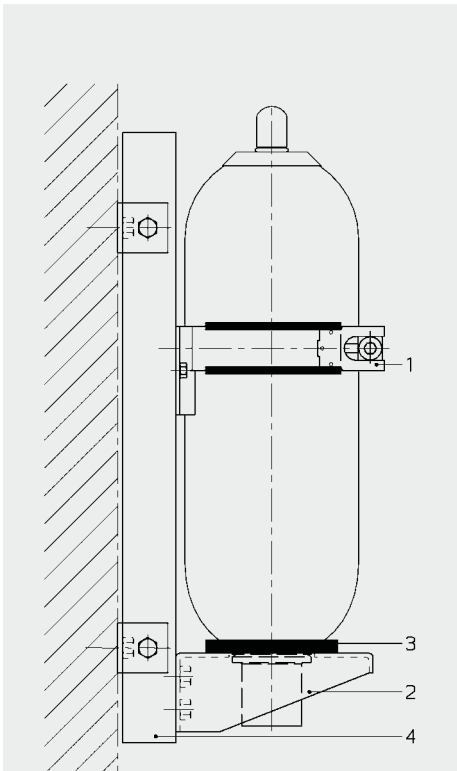
HYDAC supports are used to mount all types of hydraulic accumulator safely and simply, irrespective of the mounting position. Clamps, consoles and complete accumulator sets are available.

1.2. USE

The supports are designed for static use. For dynamic stresses, specially designed clamps are available on request.

2. SELECTION TABLES FOR SUPPORTS

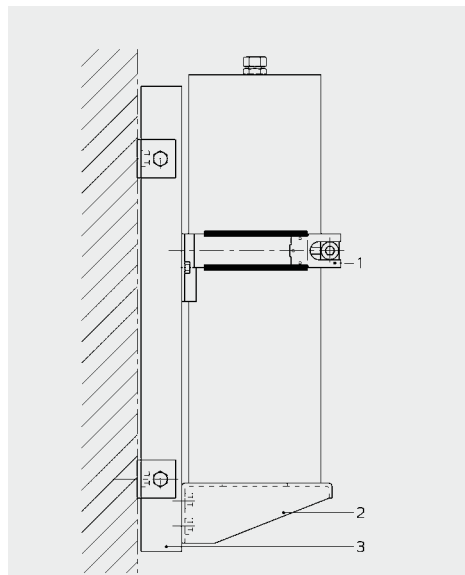
2.1. BLADDER ACCUMULATOR



- 1 Clamp
- 2 Console
- 3 Rubber support ring
- 4 Back plate

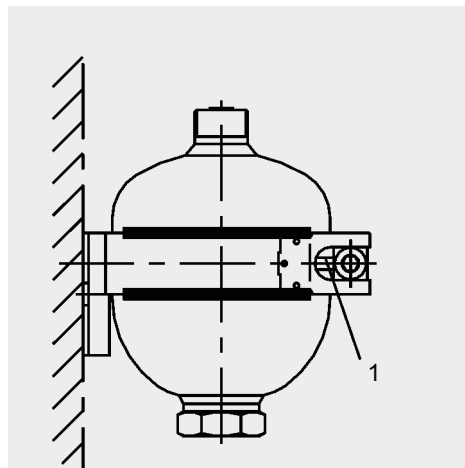
Type	Capacity [l]																							
	SB330				SB400				SB 550		SB500 / SB600		SB35		SB40		SB35H		SB35HB		SN			
	1	2.5+5	4+6	10-24	32-50	0.5	4	10-20	32-50	1	2.5-5	10-20	32-50	SB600	2.5-5	10-20	2.5-5	10-20	20	32-50	20	32-50	50	
Clamps																								
HyRac 89-92 ST						1																		
HyRac 106-114/115 H3 ST														2			2							
HyRac 110-118/124 H10 ST	1	2																						
HyRac 121-129/133 H8 ST										1	2													
HyRac 167-175/178 H5 ST		1					1																	
HyRac 202-210/214 H8 ST															1	2				1	2			
HyRac 216-224/226 H5 ST																	1	2				1	2	
HyRac 223-230/231 H3 ST				1	2																			2
HyRac 225-234/234 H3 ST								1	2															
HSS 242														1	2									
Consoles																								
KBK 167 / G		1					1																	
KBK 222 / G			1	1				1	1			1	1		1	1		1	1					1
KHF 210 / G																				1	1	1	1	
Accumulator set																								
SEB	1	1	1	1	1		1	1	1															
SEH											1	1	1											
SEN														1	1	1								
SEM																	1	1	1					
SEHF																				1	1			
SEHB																						1	1	

2.2. PISTON ACCUMULATOR



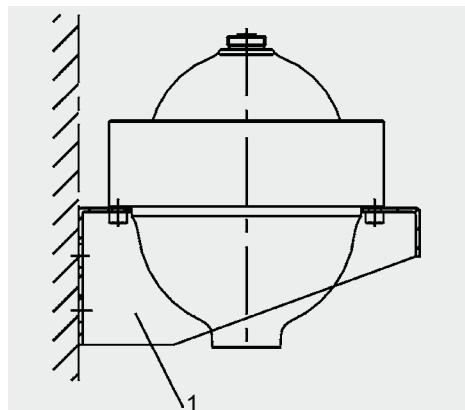
- 1 Clamp
- 2 Console
- 3 Back plate

2.3. DIAPHRAGM ACCUMULATOR (WELD TYPE)



- 1 Clamp

2.4. DIAPHRAGM ACCUMULATOR (SCREW TYPE)



- 1 Console

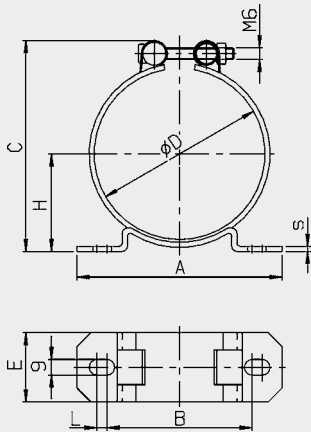
Type	Piston diameter								
	80 mm	100 mm	150 mm	180 mm		250 mm		355 mm	
	SK210	SK350	SK250	SK210	SK350	SK210	SK350	SK210	SK350
Clamps									
HyRac 96-100/100 ST	2								
HyRac 121-129/133 H8 ST		2							
HyRac 176-185/187 H5 ST			2						
HyRac 209-217/223 H10 ST				2					on request
HyRac 216-224/226 H5 ST					2				
HSS 286						2			
HSS 310							2		
Consoles									
KBK 126		1							
KBK 219				1	1				on request
KBK 310						1	1		

Accumulator type	Clamp type
SBO250-0.075E	HyRac 62- 65 ST
SBO210-0.16E	HyRac 73- 76 ST
SBO210-0.32E	HyRac 92- 95/ 96 ST
SBO210-0.5E	HyRac 100-105/106 H3 ST
SBO100-0.7E	HyRac 106-114/115 H3 ST
SBO330-0.6E	
SBO330-0.7E	HyRac 110-118/124 H10 ST
SBO210-0.75E	
SBO330-0.75E	HyRac 121-129/133 H8 ST
SBO200-1E	HyRac 133-142/144 H3 ST
SBO140-1.4E	
SBO210-1.4E	HyRac 143-151/151 H3 ST
SBO330-1.4E	HyRac 152-159/160 H3 ST
SBO100-2E	HyRac 160-167/169 H5 ST
SBO210-2E	
SBO210-2.8E	
SBO250-3.5E	
SBO330-2E	HyRac 167-175/178 H5 ST
SBO330-2.8E	
SBO330-3.5E	

Accumulator type	Console
SBO210-1.3A6	KMS 200
SBO400-1.3A6	KMS 210
SBO100-2.0A6	
SBO250-2.0A6	KMS 220
SBO210-2.8A6	KMS 250
SBO400-2.8A6	KMS 280
SBO210-4.0A6	KMS 300
SBO400-4.0A6	KMS 310

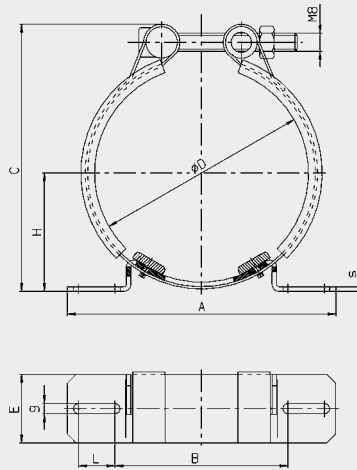
3. CLAMPS

HyRac ($\text{ØD} \leq 100 \text{ mm}$)



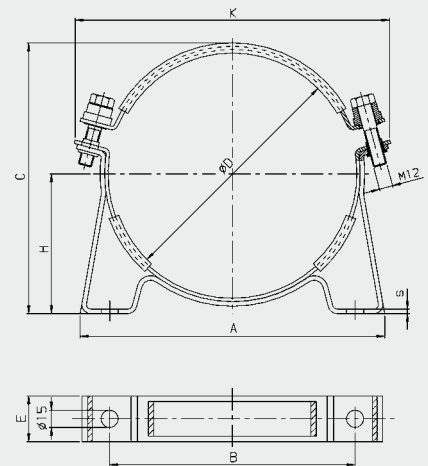
Fastening, Foot zinc-plated
Clamping band stainless steel
Insert PE

HyRac ($\text{ØD} \geq 100 \text{ mm}$)



Fastening, Foot zinc-plated
Clamping band stainless steel
Insert PE, NBR

HSS



Clamp zinc-plated
Insert NBR

Description	Part no.	A	B	Cmax	ØD (from - to)	H (from - to)	E	L	s	K	Weight
		[mm]	[mm]	[mm]	[mm]	[mm]	[mm]	[mm]	[mm]	[mm]	[kg]
HyRac 62- 65 ST	445037	120	85	85	62 - 65	38 - 39.5	40	6	3	-	0.20
HyRac 73- 76 ST	445038			96	73 - 76	43.5 - 45					0.22
HyRac 89- 92 ST	445039			112	89 - 92	51 - 52.5					0.24
HyRac 92- 95/ 96 ST	445040			115	92 - 95	52.5 - 54					0.24
HyRac 96-100/100 ST	445041			120	96 - 100	54.5 - 56.5					0.24
HyRac 100-105/106 H3 ST	444904	156	100	135	100 - 105	59 - 62	60	18	3	-	0.40
HyRac 106-114/115 H3 ST	444905			138	106 - 114	62.5 - 66					0.41
HyRac 110-118/124 H10 ST	445042			156	110 - 118	72.5 - 77					0.42
HyRac 121-129/133 H8 ST	444906			165	121 - 129	75.5 - 80					0.43
HyRac 133-142/144 H3 ST	444907			174	133 - 142	76.5 - 82.5					0.44
HyRac 143-151/151 H3 ST	444908			182	143 - 151	83 - 86.5					0.45
HyRac 152-159/160 H3 ST	444909			191	152 - 159	87 - 91					0.46
HyRac 160-167/169 H5 ST	444910	236	152	196	160 - 167	89 - 92	60	32	4	-	0.70
HyRac 167-175/178 H5 ST	445043			207	167 - 175	92.5 - 96.5					0.72
HyRac 176-185/187 H5 ST	445044			241	176 - 185	97 - 102.5					0.75
HyRac 202-210/214 H8 ST	445045			245	202 - 210	116 - 120					0.76
HyRac 209-217/223 H10 ST	445046			255	209 - 217	122.5 - 126.5					0.77
HyRac 216-224/226 H5 ST	445047			256	216 - 224	120 - 124					0.77
HyRac 223-230/231 H3 ST	445048			259	223 - 230	120.5 - 123.5					0.78
HyRac 225-234/234 H3 ST	445049			265	225 - 234	123 - 127.5					0.79
HSS 222/229	235224	268	216	245	226	123	40	Ø15	4	290	1.70
HSS 242	362712	268	216	265	242	136				305	1.70
HSS 286	237395	332	280	315	286	163				352	2.10
HSS 310	237389	332	280	334	310	170				390	2.10
HSS 360	355592	425	365	383	360	195				432	2.50

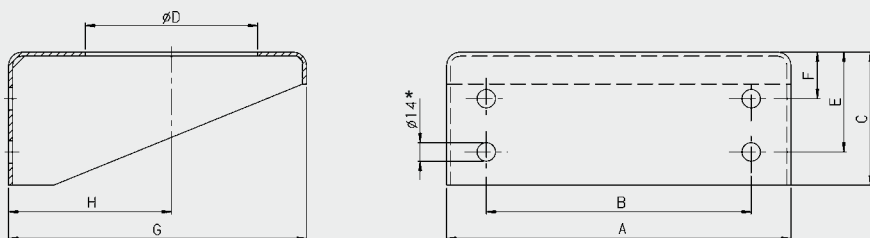
Model/order code (e.g.):

HyRac 167-175/178 H5 ST	445043
-------------------------	--------

4. CONSOLES

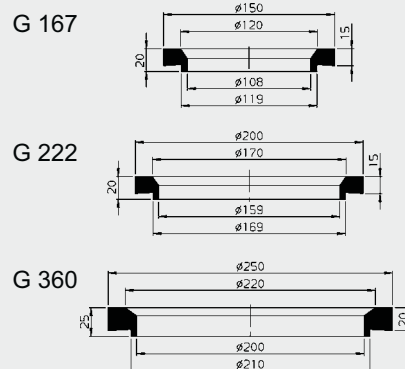
4.1. CONSOLE KBK FOR BLADDER AND PISTON ACCUMULATOR

Console KBK



* Ø22 on KBK 310 and KBK 360

Rubber support ring G



Type	Mat.	Part no.	A [mm]	B [mm]	C [mm]	ØD [mm]	E [mm]	F [mm]	G [mm]	H [mm]	Weight [kg]
126	STZN	290530	175	100	60	65	36	—	150	77	1.1
167		238526	260	200	100	120	75	35	225	92	2.5
219		238042	270	180		135	80	40	250	123	6.5
222		3002160	260	200	170	75	35	225	60	170	2.4
310		238043	330	220	200	190	140	340			18.3
360		357959	390	270	240	211	180	390	195	20.1	

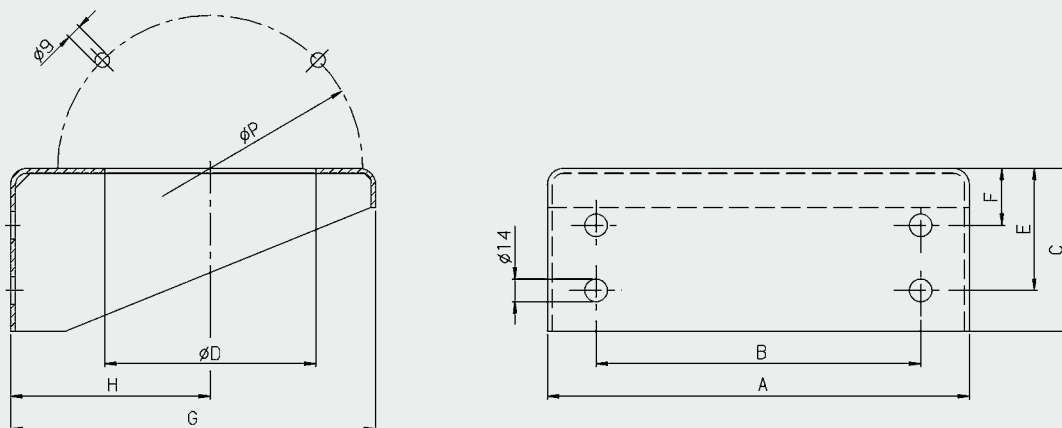
Type	Material	Part no.
—	NBR	—
167		236997
—		—
222		236996
—		—
360		355966

Model/order code (e.g.):

KBK	167	STZN	238526
-----	-----	------	--------

G	167	NBR	236997
---	-----	-----	--------

4.2. CONSOLE KMS FOR THREADED DIAPHRAGM ACCUMULATOR



The screw-type diaphragm accumulator has threaded bores M8 in the lock nut for fixing to the KMS console.

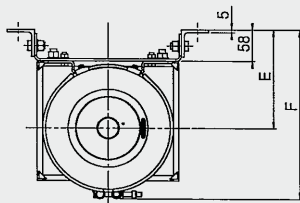
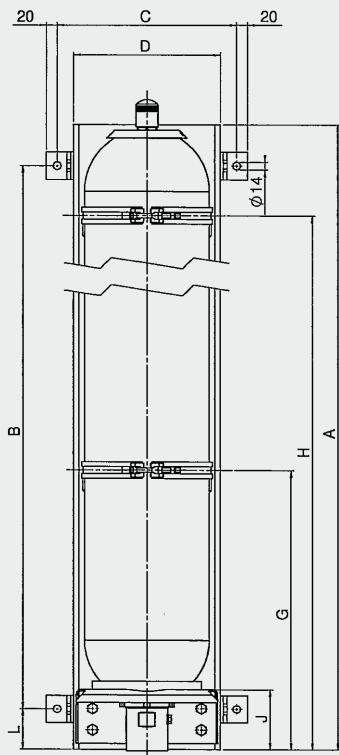
Type	Mat.	Part no.	A [mm]	B [mm]	C [mm]	ØD [mm]	ØP [mm]	E [mm]	F [mm]	G [mm]	H [mm]	ØI [mm]	Weight [kg]
200	STZN	359931	270	180	100	148	160	80	40	250	123	14	6.5
210		358989				170	180						
220		359922	260	200		170	188	75	35	225			
250		359924				192	204						
280		359925	330	220	200	215	230	140	60	340	170	22	18.3
300		359926				220	235						
310		359927				245	265						
320		359928				290	305						

Model/order code (e.g.):

KMS	200	STZN	359931
-----	-----	------	--------

5. ACCUMULATOR SET FOR BLADDER ACCUMULATORS

SEB, SEH, SEM



5.1. SEB FOR SB330/440

Accumulator set	Part no.	Vol. [l]	A [mm]	B [mm]	C [mm]	D [mm]	E [mm]	F [mm]	G [mm]	H [mm]	L [mm]	J [mm]
SEB 2.5	290787	2.5	460	310	198	138	133	214	220	410	75	–
SEB 4	238403	4	410	320	330	270	152	265	–	270	45	95
SEB 6	2115851	6	570	420	330	270				180	317	415
SEB 10	238407	10					330	270				330
SEB 20	240598	20	1340	1190			330	270	180	317	500	1160
SEB 32	238409	32										
SEB 50	240599	50										

This accumulator set SEB is also available with a SAF and SB330 as a compact unit (ACCUSET SB330).

See catalogue section:

- ACCUSET SB
No. 3.503

5.2. SEH FOR SB500/550/600

Accumulator set	Part no.	Vol. [l]	A [mm]	B [mm]	C [mm]	D [mm]	E [mm]	F [mm]	G [mm]	H [mm]	L [mm]	J [mm]
SEH 2.5	2105194	2.5	460	310	198	138	133.5	223	220	410	75	111
SEH 5	2105195	5	750	600						650		
SEH 10	378952	10	570	420	330	270	194	323		330		
SEH 20	298181	20							500			
SEH 32	298182	32	1340	1190					330	270	194	323
SEH 50	298183	50										

5.3. SEM FOR SB40

Accumulator set	Part no.	Vol. [l]	A [mm]	B [mm]	C [mm]	D [mm]	E [mm]	F [mm]	G [mm]	H [mm]	L [mm]	J [mm]
SEM 2.5	3007402	2.5	460	310	198	138	121.5	201	220	410	75	111
SEM 5	3007423	5	750	600						650		
SEM 10	3007424	10	570	420	330	270	172	310		330		
SEM 20	3007425	20							500			
SEM 32	3007426	32	1340	1190					330	270	172	310
SEM 50	3007427	50										

