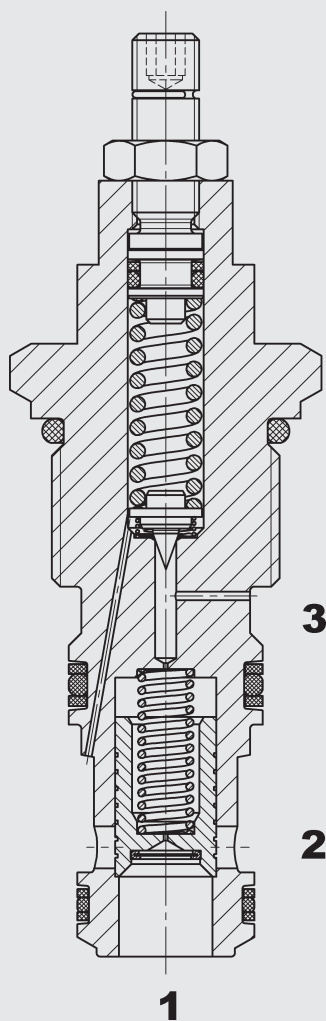


up to 200 l/min
up to 350 bar

FUNCTION



The DB12121PF is a spool-type pilot-operated pressure relief valve with a remote control connection. If the pressure across port 1 rises and exceeds the pre-set value, the pilot-stage opens and oil flows from behind the main spool to the tank port 2. The resulting pressure differential causes the main spool to move against the reset-spring and allows oil to flow from port 1 to port 2. If the pilot flow rate across port 3 decreases, the valve can be operated via the remote control pilot connection allowing unpressurised flow from port 1 to port 2 (remote control function).

Pressure Relief Valve Spool Type, Pilot-Operated With Remote Control Connection Cartridge Valve – 350 bar DB12121PF-01

GENERAL

- All surfaces zinc-plated
- Minimal wear and long life due to hardened and polished control spool
- Various pressure ranges up to 350 bar
- Quick response
- Increased operating safety due to protective screen
- Low hysteresis and excellent stability throughout the flow range
- Compact design allows space-saving installation in connection housings and control blocks
- Valve can be operated via its remote control line in combination with a directional valve

SPECIFICATIONS

Operating pressure:	max. 350 bar
Flow rate:	max. 200 l/min
Pressure ranges:	up to 35 bar up to 60 bar up to 125 bar up to 230 bar up to 350 bar
Necessary remote control flow rate:	0.2 l/min to 0.6 l/min (depending on pressure and flow rate)
Internal leakage:	< 320 cm ³ /min at 350 bar
Temperature range of operating fluid:	-20 °C to +120 °C
Ambient temperature range:	-20 °C to +80 °C
Operating fluid:	hydraulic oil to DIN 51524 Part 1 and 2
Viscosity range:	10 mm ² /s to 420 mm ² /s is recommended
Filtration:	max. permissible contamination level of the operating fluid to ISO 4406 Class 21/19/16
Mounting position:	optional
Materials:	valve body: high tensile steel closing element: hardened and polished steel seals: NBR (standard) FKM (optional) Back-up rings in PTFE
Cavity:	12121
Weight:	0.26 kg

