

Hydraulic Dampers

1. DESCRIPTION

1.1. GENERAL

The pressure fluctuations occurring in hydraulic systems can be periodical or one-off problems due to:

- flow rate fluctuations from displacement pumps
- actuation of shut-off and control valves with short opening and closing times
- switching pumps on and off
- sudden linking of spaces with different pressure levels

HYDAC hydraulic dampers are particularly suitable for damping such pressure fluctuations.

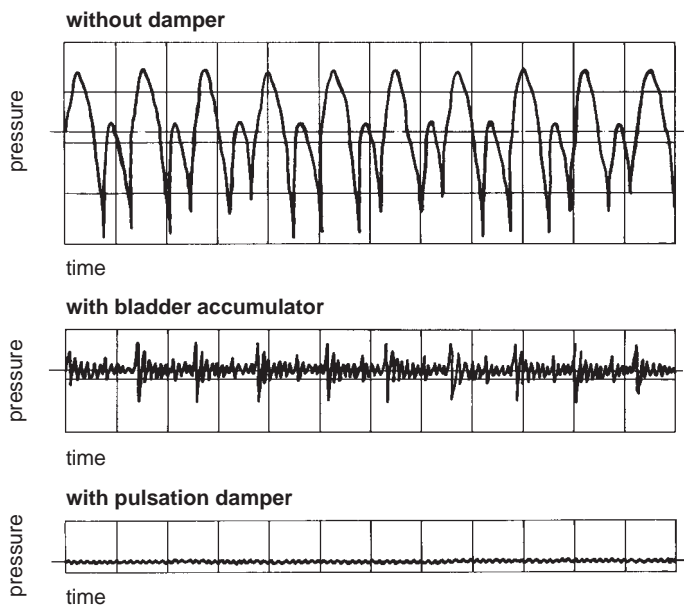
Selecting the most suitable hydraulic damper for each system ensures that

- vibrations caused by pipes, valves, couplings etc. are minimised and resulting pipe and valve damage is prevented
- measuring instruments are protected and their performance is no longer impaired
- the noise level in hydraulic systems is reduced
- the performance of machine tools is improved
- interconnection of several pumps in one line is possible
- a pump rpm and feed pressure increase is possible
- the maintenance and servicing costs can be reduced
- the service life of a system is increased



2. TYPES OF CONSTRUCTION

2.1. PULSATION DAMPER TYPE SB ... P



2.1.1 General

The HYDAC pulsation damper

- prevents pipe breaks caused by material fatigue, pipe oscillations and irregular flow rates;
- protects valves, control devices and other instruments;
- improves noise level damping.

2.1.2 Applications

The pulsation damper is particularly suited for: hydraulic systems, displacement pumps of all types, sensitive measurement and control instruments and manifolds in process circuits in the chemical industry.

2.1.3 Mode of operation

The pulsation damper has two fluid connections and can therefore be fitted directly inline. The volume flow is directed straight at the bladder or diaphragm by diverting it in the fluid valve. This causes direct contact of the volume flow with the bladder or diaphragm which, in an almost inertialess operation, balances the flow rate fluctuations via the gas volume. It particularly compensates for higher frequency pressure oscillations. The pre-charge pressure is adjusted to individual operating conditions.

2.1.4 Construction

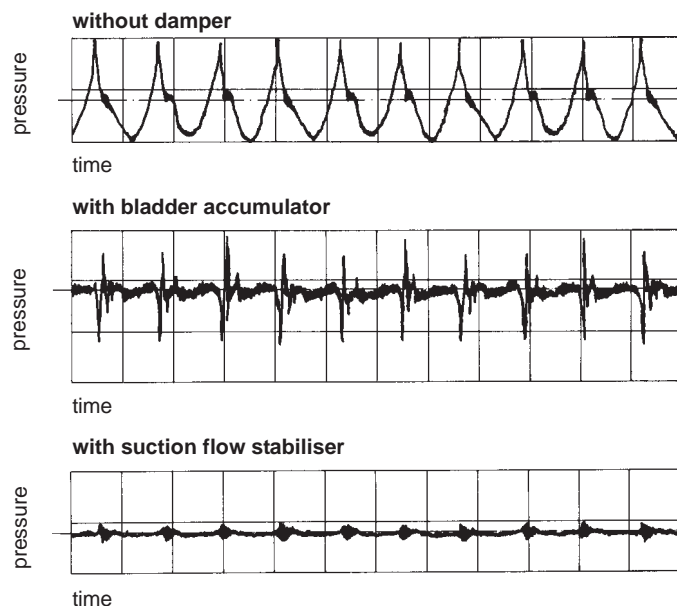
The HYDAC pulsation damper consists of:

- the welded or forged pressure vessel in carbon steel; for chemically aggressive fluids with internal coating or in stainless steel;
- the special fluid valve with inline connection, which guides the flow into the vessel (threaded or flange connection);
- the bladder or diaphragm in various compounds as shown under point 5.1.

2.1.5 Installation

As close as possible to the pulsation source. Mounting position preferably vertical (gas valve pointing upwards).

2.2. SUCTION FLOW STABILISER TYPE SB ... S



2.2.1 General

The HYDAC suction flow stabiliser

- improves the NPSH value of the system;
- avoids cavitation of the pump;
- prevents pipe oscillations.

2.2.2 Applications

Main application areas are piston and diaphragm pumps in public utility plants, reactor construction and the chemical industry.

2.2.3 Mode of operation

Trouble-free pump operation is only possible if no cavitation occurs in the pump suction and pipe oscillations are avoided.

A relatively high fluid volume in the suction flow stabiliser in relation to the displacement volume of the pump reduces the acceleration effects of the fluid column in the suction line. Also, an air separation is achieved due to the extremely low flow rate in the suction flow stabiliser and the deflection on a baffle. By adjusting the charging pressure of the bladder to the operating conditions, the best possible pulsation damping is achieved.

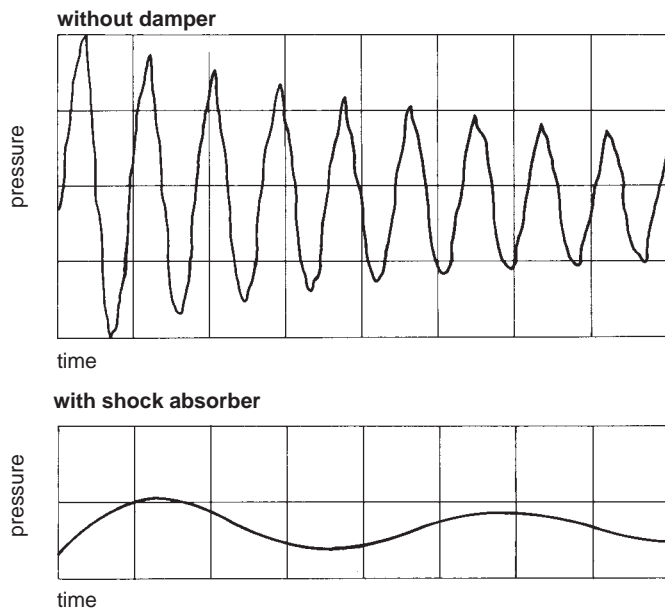
2.2.4 Construction

The HYDAC suction flow stabiliser consists of a welded vessel in steel or stainless steel. Inlet and outlet are on opposite sides and are separated by a baffle. The upper part houses the encapsulated bladder. In addition, there is a vent screw in the cover plate and a drainage facility on the bottom.

2.2.5 Installation

As close as possible to the suction inlet of the pump. Mounting position vertical (gas valve pointing upwards).

2.3. SHOCK ABSORBER TYPE SB ... A



2.3.1 General

The HYDAC shock absorber

- reduces pressure surges;
- protects pipe lines and valves from destruction.

2.3.2 Applications

The accumulators are particularly suited for use in pipe lines with quick-acting valves or flaps and during switching on and switching off of pumps. They are also suitable for energy storage in low pressure applications.

2.3.3 Mode of operation

Sudden changes in pipe line flow, such as those caused by pump failure or the closing or opening of valves, can cause pressures which are many times higher than the normal values.

The shock absorber prevents this by converting potential into kinetic energy and vice versa. This prevents pressure surges and protects pipe lines, valves, control instruments and other devices from destruction.

2.3.4 Construction

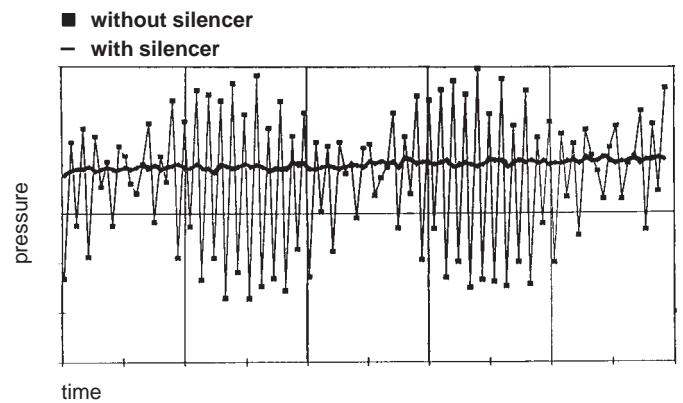
The HYDAC shock absorber consists of:

- the welded pressure vessel in carbon steel with or without corrosion protection or in stainless steel;
- the connection with perforated disc which prevents the flexible bladder from extruding from the vessel, and the flange;
- the bladder in various compounds as shown under point 5.1. with built-in gas valve, which is used for charging pressure p_0 and for possible monitoring activities.

2.3.5 Installation

As close as possible to the source of the erratic condition. Mounting position vertical (gas valve pointing upwards).

2.4. FLUID SILENCER TYPE SD ...



2.4.1 General

All displacement pumps such as axial and radial piston pumps, vane, gear or screw pumps produce volume and pressure fluctuations which show up as vibrations and noises. Noises are not only produced and transmitted by the pump but they are also the result of mechanical vibrations and vibrations caused by the fluid pulsations, which are amplified when transmitted to larger areas. Insulation, the use of flexible hoses and silencer covers can only provide partial solutions to the problem as they do not prevent transmission to other areas.

2.4.2 Applications

Vehicles, machine tools, plastics machinery, aeroplanes, ships, hydraulic power stations and other systems with a large "surface" are all applications where the noise level can be reduced.

2.4.3 Mode of operation

The HYDAC fluid silencer is based on the principle of an expansion chamber with interference line. By reflection of the oscillations within the silencer the majority of the oscillations is damped across a wide frequency spectrum.

2.4.4 Construction

The HYDAC fluid silencer consists of a welded or forged external housing, an internal tube and two pipe connections on opposite sides. The silencer has no moving parts and no gas charge and is therefore absolutely maintenance free. The HYDAC fluid silencer can be used for mineral oils, phosphate ester and water glycol. A stainless steel model is available for other fluids.

2.4.5 Installation

It is recommended that one connection side is joined via a flexible hose in order to reduce the transmission of mechanical vibrations. The mounting position of the damper is optional, whereby the flow direction has to be taken into account.

3. APPROVAL SPECIFICATIONS

3.1. EUROPEAN PRESSURE EQUIPMENT DIRECTIVE PED (DGRL/DEP)

On 29 November 1999 the directive 97/23/EC (Pressure Equipment Directive) came into force and has been operative since 29 May 2002.

This Directive applies to the design, manufacture, conformity assessment and circulation of pressure equipment and assemblies with a maximum permissible pressure of over 0.5 bar. It guarantees the free movement of goods within the European Community.

EU member states must not prohibit, restrict or obstruct the circulation and commissioning of pressure equipment on account of pressure-related hazards, if the equipment complies with the requirements of the pressure equipment directive and has the CE mark, and is subject to a conformity assessment.

According to Article 3 Paragraph 3, hydraulic accumulators with a capacity $V \leq 1$ litre, a maximum permissible pressure

$PS \leq 1000$ bar and a pressure capacity $PS \cdot V \leq 50$ bar • litre for gases of fluid group 2 (non-hazardous fluids) do not receive a CE mark.

Inspection of the equipment and installation, operational safety and repeat testing are controlled as before by national laws.

The equipment relating to safety is described in AD2000, ISO 4126 and EN 14359.

The repeat testing intervals are stipulated in the new operating safety regulations.

3.2. OVERSEAS

Pressure accumulators which are installed overseas (outside the EU) are supplied with the relevant test certificates required in the country of installation. The country of installation must be stated at the time of ordering.

HYDAC pressure vessels can be supplied with virtually any test certificate. In some of these the permissible operating pressure can differ from the nominal pressure. Depending on the authority, the different material requirements must be observed.

The following table contains the codes used in the model code for different countries of installation (See Page 13).

Country	Certificate code
Algeria	U ³⁾
Argentina	U ³⁾
Australia	F ¹⁾
Bahamas	E
Barbados	U ³⁾
Bermuda	U ³⁾
Bolivia	U ³⁾
Brazil	U ³⁾
Canada	S1 ²⁾
Chile	U ³⁾
China	A9
Costa Rica	E ³⁾
Czech Republic	U
Ecuador	U ³⁾
Egypt	U
Hong Kong	A9
Hungary	U ³⁾
Iceland	U ³⁾
India	U ³⁾
Indonesia	U ³⁾
Iran	U
Iraq	U ³⁾
Israel	U ³⁾
Japan	P
Jordan	U ³⁾
Korea	U
Kuwait	U ³⁾
Lebanon	U ³⁾
Libya	U ³⁾
Malaysia	U ³⁾
Mexico	U ³⁾
New Zealand	T
Nigeria	U ³⁾
Norway	U ³⁾
Pakistan	U ³⁾
Peru	U ³⁾
Philippines	U ³⁾
Poland	U
Puerto Rico	E ³⁾
Romania	U
Russia (CIS)	A6
Saudi Arabia	U ³⁾
Singapore	U
Slovakia	U
South Africa	U ³⁾
Sudan	U ³⁾
Switzerland	U
Syria	U
Taiwan	U ³⁾
Thailand	U ³⁾
Tunisia	U ³⁾
Turkey	U
USA	S
Yugoslavia	U

¹⁾ = approval required in the individual territories

²⁾ = approval required in the individual provinces

³⁾ = alternative certificates possible

3.3. CERTIFICATE CODE = S

(U stamp)

HYDAC Technology GmbH in D-66280 Sulzbach/Saar is authorised (with effect from 21 August 1985) by the "National Board of Boiler and Pressure Vessel Inspectors", in conformity with the appropriate specifications of the American Society of Mechanical Engineers (ASME), to use the Code Symbol



as a stamp and for registration purposes.

3.4. CERTIFICATE CODE = P

(KHK certificate)

For the Japanese market, HYDAC Technology GmbH is approved as a "self inspecting manufacturer". Therefore HYDAC is authorised to manufacture, test and import accumulators from outside Japan.

3.5. CERTIFICATE CODE = A9

(Self quality licence for China)

HYDAC Technology GmbH is recognised as an importer of bladder, diaphragm and piston accumulators since 30.03.1998.

4. SIZING

4.1. DEFINITION OF VARIABLES

The compression and expansion processes are governed by the laws of polytropic change in state of ideal gases

$$p \cdot V^n = \text{constant},$$

where time is taken into account by the polytropic power "n" (ratio of specific heat capacity c_p/c_v).

$$p_0 \cdot V_0^n = p_1 \cdot V_1^n = p_2 \cdot V_2^n$$

Slow expansion or compression processes occur almost **isothermally**, the polytropic power can be set at $n = 1$.

For **rapid** processes the **isentropic** (adiabatic) change in state applies with an isentropic exponent κ which is dependent on pressure and temperature (for graph, see Point 4.3.).

With the aid of the following formulae the required gas volume V_0 can be calculated for various applications. In the formulae pressures always have to be used as absolute values.

p_0 = gas pre-charge pressure

p_1 = minimum working pressure

p_2 = maximum working pressure

p_m = working pressure

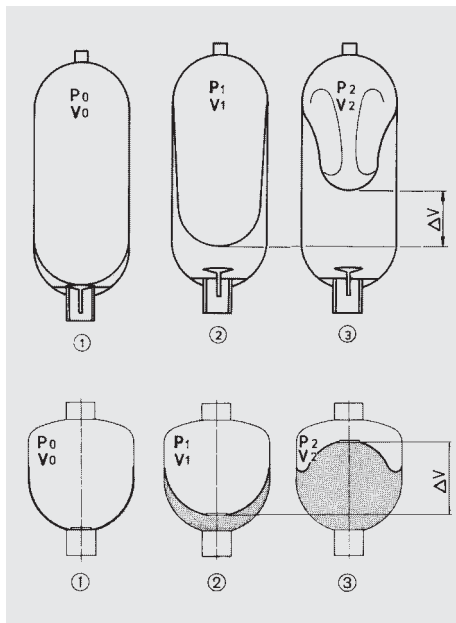
V_0 = effective gas volume

V_1 = gas volume at p_1

V_2 = gas volume at p_2

t_0 = gas pre-charge temperature

t_{\max} = max. working temperature



- ① The bladder (diaphragm) is pre-charged with nitrogen. The fluid valve is closed and stops the bladder (diaphragm) extruding from the shell.
- ② When the minimum working pressure is reached, there should be a small amount of fluid between bladder (diaphragm) and check valve (approx. 10 % of the nominal accumulator volume) so that the bladder (diaphragm) does not hit the valve every time it expands, as this could cause damage.
- ③ Accumulator at maximum working pressure. The volume change between the minimum and maximum working pressure corresponds to the effective fluid volume:

$$\Delta V = V_1 - V_2$$

4.2. SELECTION OF GAS PRE-CHARGE PRESSURES

The selection of and adherence to the gas pre-charge pressure has a considerable influence on the performance of the damper and the life expectancy of the bladder/diaphragm.

4.2.1 Recommended values

Depending on the individual application, the following gas pre-charge pressure is set at maximum working temperature:

- for pulsation damping:

$$p_{0, t_{\max}} = 0.6 \div 0.8 \cdot p_m$$

for 1 piston pump:

$$p_{0, t_{\max}} = 0.6 \cdot p_m$$

for 3 or more piston pumps:

$$p_{0, t_{\max}} = 0.7 \cdot p_m$$

for working pressure range:

$$p_{0, t_{\max}} = 0.8 \cdot p_1$$

- for suction flow stabilisation:

$$p_{0, t_{\max}} = 0.6 \div 0.7 \cdot p_m$$

- for shock absorption:

$$p_{0, t_{\max}} = 0.9 \cdot p_m$$

4.2.2 Critical values of the pre-charge pressure

- Hydraulic dampers with bladder:

$$p_{0, t_{\max}} = 0.9 \cdot p_1$$

with a permissible pressure ratio of $p_2/p_0 \leq 4 : 1$

- Shock absorber:

$$p_{0, \max} = 10 \text{ bar}$$

- Hydraulic damper with diaphragm

$$p_{0, t_{\max}} \leq 0.9 \cdot p_1$$

with a permissible pressure ratio of

$$p_2/p_0 \leq 8 : 1$$

(welded construction up to 2 L nominal volume)

$$p_2/p_0 \leq 4 : 1$$

(welded construction up to 2 L nominal volume)

$$p_2/p_0 \leq 10 : 1$$

(threaded construction)

4.2.3 Temperature effect

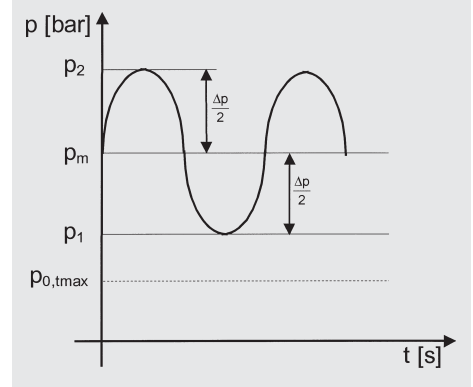
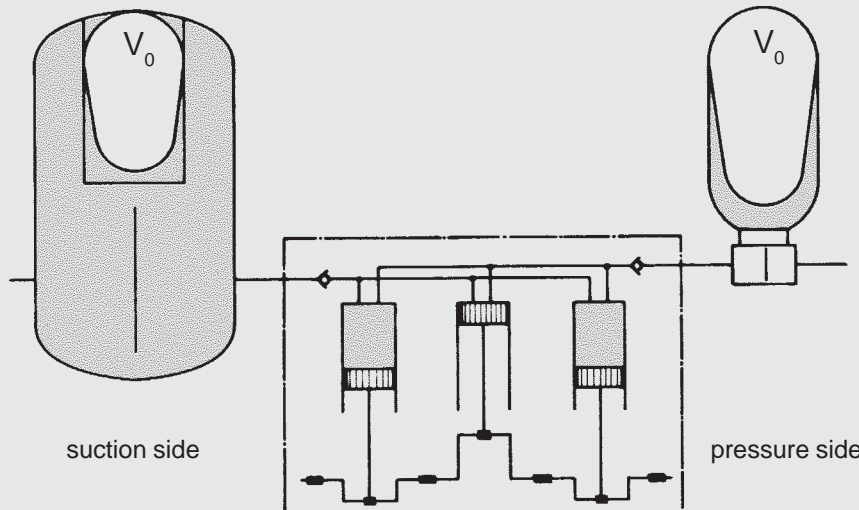
In order that the recommended gas pre-charge pressures are being maintained even at relatively high working temperatures, p_0, t_0 for charging and testing cold accumulators must be selected as follows:

$$p_{0, t_0} = p_{0, t_{\max}} \cdot \frac{t_0 + 273}{t_{\max} + 273}$$

In order to take the temperature effect into account when sizing a hydraulic damper p_0 at t_{\min} must be selected as follows:

$$p_{0, t_{\min}} = p_{0, t_{\max}} \cdot \frac{t_{\min} + 273}{t_{\max} + 273}$$

4.3. PULSATION DAMPER AND SUCTION FLOW STABILISER



Formulae:

$$V_0 = \frac{\Delta V}{\left(\frac{\Phi}{1 - \frac{x}{100}} \right)^{\frac{1}{\kappa}} - \left(\frac{\Phi}{1 + \frac{x}{100}} \right)^{\frac{1}{\kappa}}}$$

$$\Delta V = \delta \cdot q$$

$$x[\pm\%] = \left| \frac{p_1 - p_m}{p_m} \cdot 100 \right|$$

$$= \left| \frac{p_2 - p_m}{p_m} \cdot 100 \right|$$

4.3.1 Sizing

On the suction and pressure side of piston pumps almost identical conditions regarding non uniformity of the flow rate occur. Therefore the same formulae for determining the effective gas volume are used for calculating the damper size. That in the end two totally different damper types are used is due to the different acceleration and pressure ratios on the two sides.

Not only is the gas volume V_0 a decisive factor but also the connection size of the pump has to be taken into account when selecting the pulsation damper. In order to avoid additional cross section changes which represent reflection points for vibrations, and also to keep pressure drops to a reasonable level, the connection cross section of the damper has to be the same as the pipe line.

The gas volume V_0 of the damper is determined with the aid of the formula for adiabatic changes of state.

By giving the residual pulsation or the gas volume, the damper size can be calculated with the aid of the HYDAC **ASP** software (Accumulator Simulation Program). The results can then be printed out or the data files can be stored in ASP format.

The ASP program is available free of charge via our website www.hydac.com or by e-mail to speichertech@hydac.com.

Designations:

ΔV = fluctuating fluid volume [L]

q = piston stroke volume [L]

$$q = \frac{\pi \cdot d_k^2}{4} \cdot h_k$$

d_k = piston diameter [dm]

h_k = piston stroke [dm]

δ = coefficient of cyclic variation of the pump

z = no. of compressions / effective cylinders per revolution

x = residual pulsation [$\pm\%$]

κ = isentropic exponent

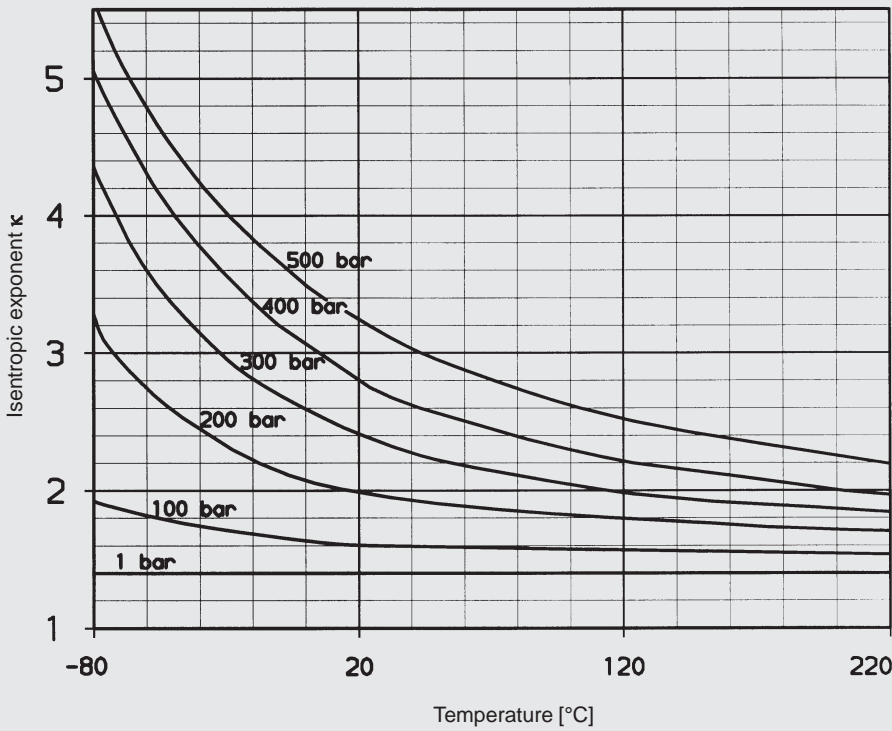
Φ = pressure ratio of pre-charge pressure to operating pressure [0.6...0.9]

$$\Phi = \frac{p_0}{p_m}$$

Δp = height of pressure fluctuations

$$\Delta p = p_2 - p_1 \text{ [bar]}$$

Isentropic exponent κ dependent on pressure and temperature:



δ values for piston pump
(others on request):

z	δ - value	
	single acting	double acting
1	0.60	0.25
2	0.25	0.20
3	0.13	0.07
4	0.12	0.05
5	0.05	0.02
6	0.13	0.07
7	0.02	0.01
8	0.08	0.08
9	0.01	0.01

4.3.2 Calculation example

Parameters:

Single acting 3-piston pump
 piston diameter 70 mm
 piston stroke 100 mm
 rpm 370 min⁻¹
 flow rate 244 l/min
 operating temperature 20 °C
 operating pressure
 - pressure side 200 bar
 - suction side 4 bar

Required:

- a) Suction flow stabiliser for a residual pulsation of $\pm 2.5\%$
- b) Pulsation damper for a residual pulsation of $\pm 0.5\%$

Solution:

- a) Determining the required suction flow stabiliser

$$V_0 = \frac{\Delta V}{\left(\frac{\Phi}{1-\frac{x}{100}}\right)^{\frac{1}{\kappa}} - \left(\frac{\Phi}{1+\frac{x}{100}}\right)^{\frac{1}{\kappa}}}$$

$$V_0 = \frac{0.13 \cdot \frac{\pi \cdot 0.7^2}{4} \cdot 1.0}{\left(\frac{0.6}{1-\frac{2.5}{100}}\right)^{\frac{1}{1.4}} - \left(\frac{0.6}{1+\frac{2.5}{100}}\right)^{\frac{1}{1.4}}}$$

$V_0 = 2.0 \text{ L}$

Selected: SB16S-25

- b) Determining the required pulsation damper

$$V_0 = \frac{\Delta V}{\left(\frac{\Phi}{1-\frac{x}{100}}\right)^{\frac{1}{\kappa}} - \left(\frac{\Phi}{1+\frac{x}{100}}\right)^{\frac{1}{\kappa}}}$$

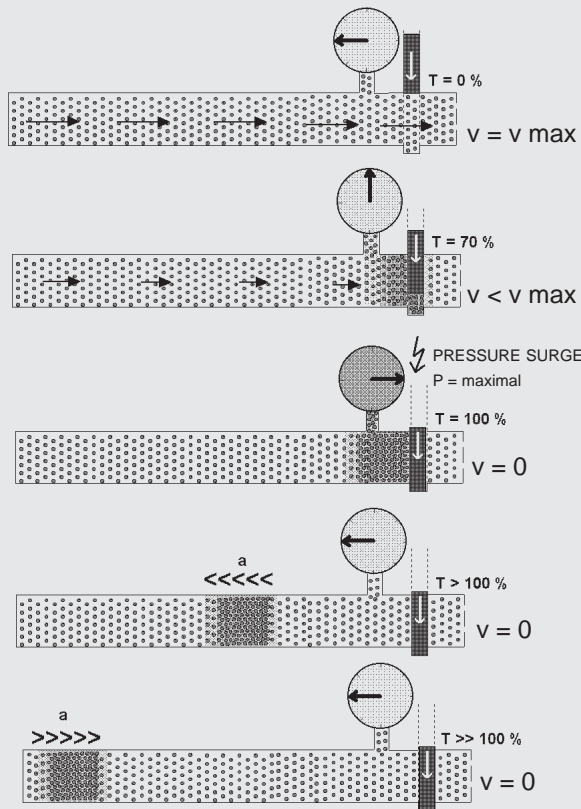
$$V_0 = \frac{0.13 \cdot \frac{\pi \cdot 0.7^2}{4} \cdot 1.0}{\left(\frac{0.7}{1-\frac{0.5}{100}}\right)^{\frac{1}{2.0}} - \left(\frac{0.7}{1+\frac{0.5}{100}}\right)^{\frac{1}{2.0}}}$$

$V_0 = 11.9 \text{ L}$

Selected: SB330P-13

4.4. SHOCK ABSORBER

Pressure surge produced when a valve is closed without a hydraulic accumulator



Determining the required damper size

The accumulator must absorb the kinetic energy of the fluid by converting it into potential energy within the pre-determined pressure range. The change of state of the gas is adiabatic in this case.

$$V_0 = \frac{m \cdot v^2 \cdot 0.4}{2 \cdot p_1 \cdot \left[\left(\frac{p_2}{p_1} \right)^{\frac{1}{\kappa}} - 1 \right] \cdot 10^2} \cdot \left(\frac{p_1}{p_0} \right)^{\frac{1}{\kappa}}$$

- m (kg) = weight of fluid in the pipe line
- v (m/s) = speed of fluid
- p_1 (bar) = zero feed height of pump
- p_2 (bar) = permissible working pressure
- p_0 (bar) = pre-charge pressure

A special calculation programme to analyse the pressure curve is available for sizing during pump failure or start-up and for manifolds.

4.4.1 Calculation

Simplified pressure surge calculation for the closing of a valve.

Estimate of Joukowsky's max. occurring pressure surge

$$\Delta p (\text{N/m}^2) = \rho \cdot a \cdot \Delta v$$

ρ (kg/m³) = fluid density

$$\Delta v = v - v_1$$

Δv = change of the fluid speed

v (m/s) = speed of the fluid before the change in its condition

v_1 (m/s) = speed of the fluid after the change in its condition

a (m/s) = velocity of the pressure wave propagation

$$a (\text{m/s}) = \frac{1}{\sqrt{\rho \cdot \left(\frac{1}{K} + \frac{D}{E \cdot e} \right)}}$$

K (N/m²) = compression modulus of the fluid

E (N/m²) = modulus of elasticity of the pipe line

D (mm) = internal diameter of pipe line

e (mm) = wall thickness of pipe line

The pressure wave runs to the other end of the pipe line and will reach the valve again after time t (reflection time), whereby:

$$t (\text{s}) = \frac{2 \cdot L}{a}$$

L (m) = length of the pipe line

T (s) = effective operating time (closing) of the valve

If $T < t$:

$$p_{\max} = p_1 + \Delta p$$

If $T > t$:

$$p_{\max} = p_1 + \rho \cdot a \cdot \Delta v \cdot \frac{t}{T}$$

4.4.2 Calculation example

Quick closing of a shut-off valve in a re-fuelling line.

Parameters:

Length of pipe line L:
2000 m

NW of pipe line D:
250 mm

Wall thickness of pipe line e:
6.3 mm

Material of pipe line:
steel

Flow rate Q:
432 m³/hr = 0.12 m³/s

Density of medium ρ:
980 kg/m³

Zero feed height of pump p₁:
6 bar

Min. operating pressure p_{min}:
4 bar

Effective closing time of valve T:
1.5 sec
(approx. 20 % of the total closing time)

Operating temperature:
20 °C

Compression modulus of the fluid K:
1.62 · 10⁹ N/m²

Elasticity modulus (steel) E:
2.04 · 10¹¹ N/m²

Required:

Size of required shock absorber, when the max. pressure (p₂) must not exceed 10 bar.

Solution:

Determination of reflection time:

$$a = \frac{1}{\sqrt{\rho \cdot \left(\frac{1}{K} + \frac{D}{E \cdot e} \right)}}$$

$$a = \frac{1}{\sqrt{980 \cdot \left(\frac{1}{1.62 \cdot 10^9} + \frac{250}{2.04 \cdot 10^{11} \cdot 6.3} \right)}}$$

$$a = 1120 \text{ m / s}$$

$$t = \frac{2 \cdot L}{a} = \frac{2 \cdot 2000}{1120} = 3.575 \text{ s}^*$$

* since T < t the max. pressure surge occurs and the formula as shown under 4.4.1 must be used

$$v = \frac{Q}{A}$$

$$v = \frac{0.12}{0.25^2 \cdot \frac{\pi}{4}} = 2.45 \text{ m / s}$$

$$\Delta p = \rho \cdot a \cdot \Delta v$$

$$\Delta p = 980 \cdot 1120 \cdot (2.45 - 0) \cdot 10^{-5} = 26.89 \text{ bar}$$

$$p_{\max} = p_1 + \Delta p$$

$$p_{\max} = 6 + 26.89 = 32.89 \text{ bar}$$

Determining the required gas volume:

$$p_0 \leq 0.9 \cdot p_{\min}$$

$$p_0 \leq 0.9 \cdot 5 = 4.5 \text{ bar}$$

$$V_0 = \frac{m \cdot v^2 \cdot 0.4}{2 \cdot p_1 \cdot \left[\left(\frac{p_2}{p_1} \right)^{\frac{1}{\kappa}} - 1 \right] \cdot 10^2} \cdot \left(\frac{p_1}{p_0} \right)^{\frac{1}{\kappa}}$$

$$\text{with } m = V \cdot \rho = \frac{\pi}{4} \cdot D^2 \cdot L \cdot \rho$$

$$V_0 = \frac{\frac{\pi}{4} \cdot 0.25^2 \cdot 2000 \cdot 980 \cdot 2.45^2 \cdot 0.4}{2 \cdot 7 \cdot \left[\left(\frac{11}{7} \right)^{\frac{1}{1.4}} - 1 \right] \cdot 10^2} \cdot \left(\frac{7}{4.5} \right)^{\frac{1}{1.4}}$$

$$V_0 = 1641 \text{ l}$$

Selected:

4 off shock absorbers
SB35AH-450.

4.5. SILENCER

4.5.1 Sizing

The sizing calculation of the HYDAC silencer is designed to result in a small unit with the best possible damping. The starting point for the selection table is to determine the level of transmission damping D from 20 dB upwards.

$$D = 20 \cdot \log \frac{\Delta p_o}{\Delta p_m}$$

Δp_o = height of pressure fluctuations without silencer

Δp_m = height of pressure fluctuations with silencer

For the selection of the damper the following has to be taken into account:

- 1) the size of the silencer body
- 2) the fundamental frequency f of the pump.
 $f = i \cdot n / 60$ in Hz
 i = number of displacement elements
 n = rpm in min^{-1}

4.5.2 Calculation example

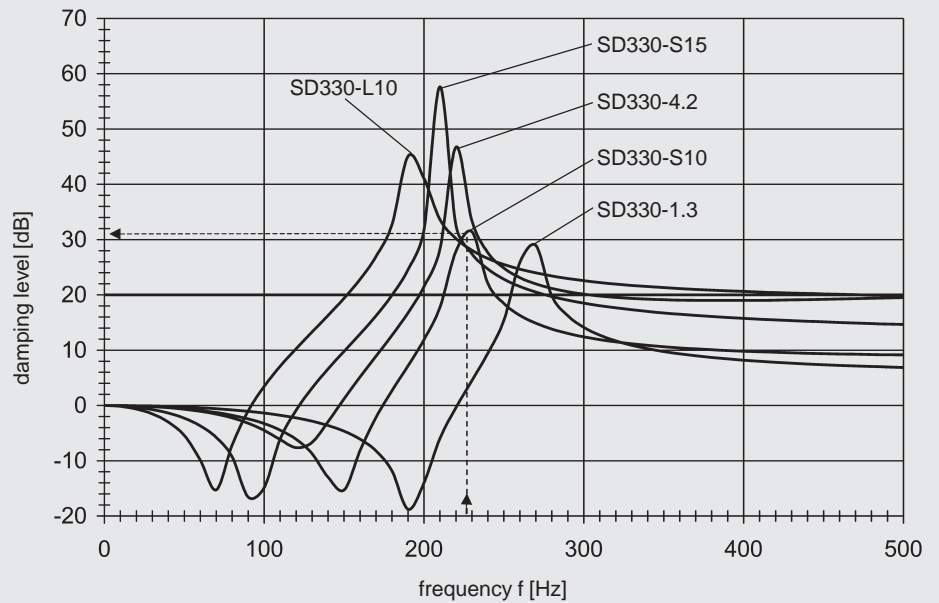
Parameters:

Axial piston pump with 9 pistons
 rpm 1500 min^{-1}
 connection G 1
 corresponds to $D_i = 19 \text{ mm}$
 flow rate 300 l/min
 operating fluid: mineral oil
 max operating pressure 210 bar

Solution:

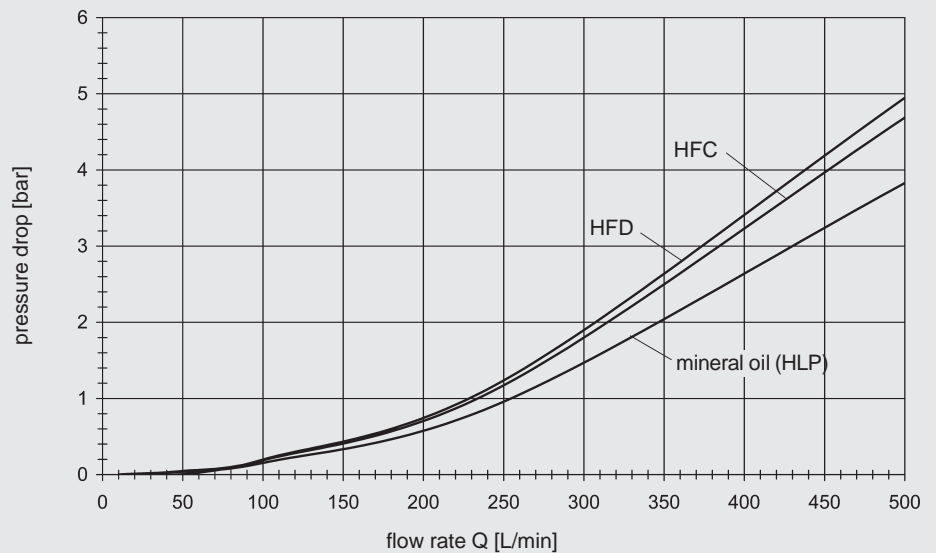
- 1) Fundamental frequency f
 $f = i \cdot n / 60$ in Hz
 $= 9 \cdot 1500 / 60$
 $= 225 \text{ Hz}$
- 2) From the "Damping curve" graph, the following silencer type can be selected:
 SD330-S10/012U-330AE/AE
 transmission damping $D \approx 31 \text{ dB}$
 Pressure drop $\approx 2 \text{ bar}$

4.5.3 Damping curve



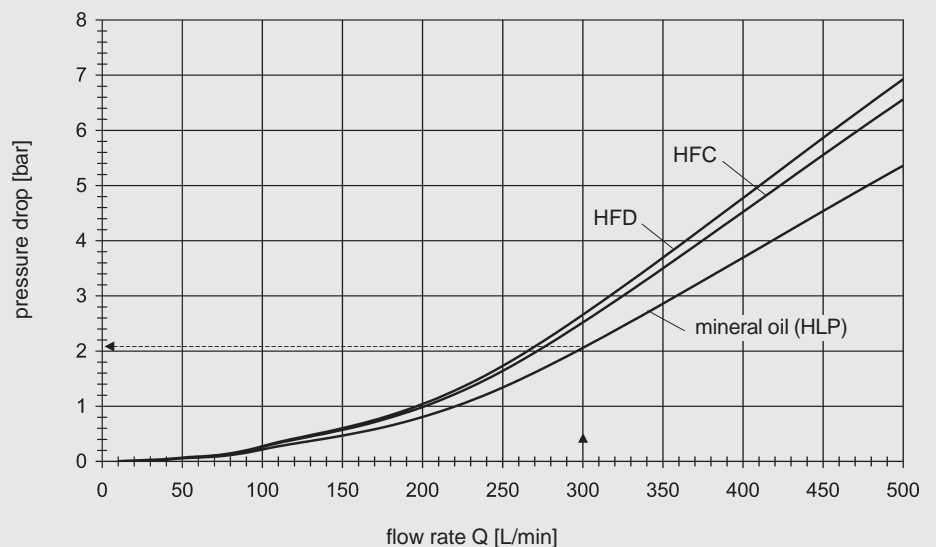
4.5.4 Pressure drop

SD330-1.3 ...

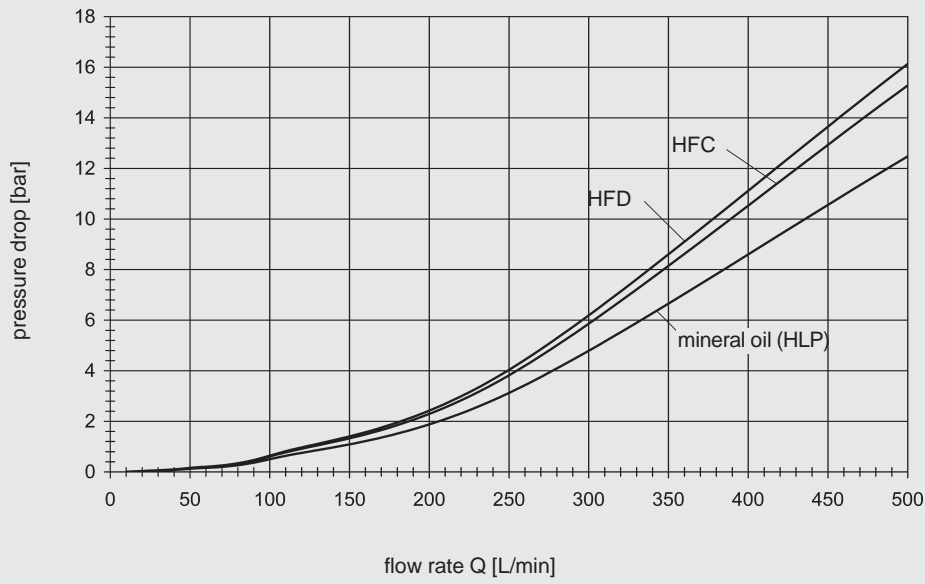


SD330-S10 ...

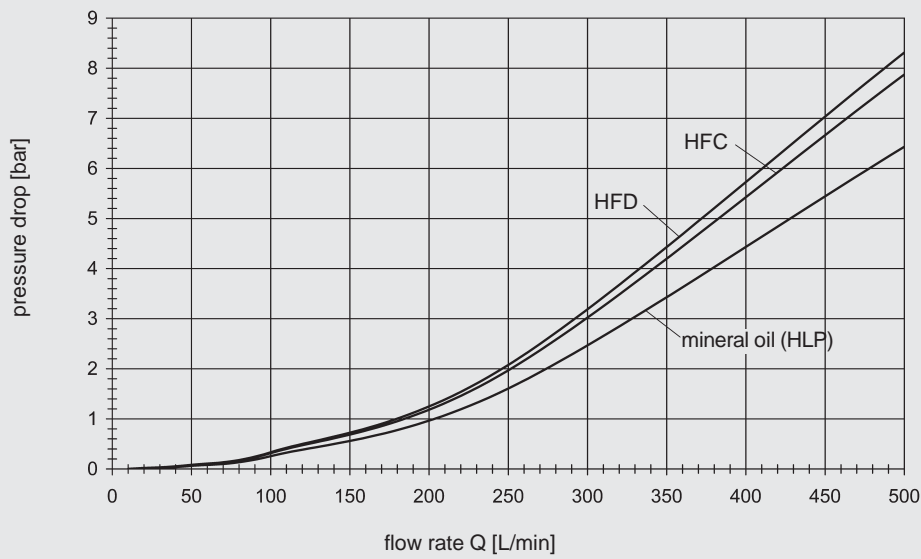
SD330-4.2 ...



SD330-L10 ...



SD330-S15 ...



5. TECHNICAL SPECIFICATIONS

5.1. MODEL CODE

PULSATION DAMPER, SUCTION FLOW STABILISER, SHOCK ABSORBER
(also order example)

SB 330 P - 10 A 1 / 112 U - 330 AI

Series

SB = with bladder
SBO = with diaphragm

Type

A = shock absorber
AH = high flow shock absorber
P = pulsation damper
PH = high flow pulsation damper
S = suction flow stabiliser

Nominal volume in l

Fluid connection

A = threaded connection
E = threaded connection for welded construction (diaphragm accumulators only)
F = flange ⁴⁾

Type code

1 = standard model (not for threaded construction)
2 = back-up model ¹⁾
6 = standard model for threaded construction diaphragm accumulators of the type SBO...P-.A6

Material code ²⁾

Standard model = 112 for mineral oils depending on operating medium

Fluid connection

1 = carbon steel
2 = stainless steel 1.4021 (AISI 304)
3 = stainless steel 1.4571 (AISI 316)
4 = chemically nickel-plated (internal coating) ¹⁾
6 = TT-steel (low temperature)

Accumulator shell

0 = plastic (internal coating) ¹⁾
1 = carbon steel
2 = chemically nickel-plated (internal coating) ¹⁾
4 = stainless steel 1.4571 ¹⁾ (AISI 316)
6 = TT-steel (low temperature)

Accumulator bladder/diaphragm ³⁾

2 = NBR (acrylonitrile butadiene)
3 = ECO (ethylene oxide epichlorohydrin)
4 = IIR (butyl)
5 = TT-NBR (low temperature)
6 = FKM (fluoro rubber)
7 = other (e.g. PTFE, EPDM)

User country ²⁾

U = PED 97/23/EC
for other countries see table on page 4

Permissible operating pressure (bar)

Connection thread to

AI = ISO 228 (BSP), standard connection
BI = DIN 13 to ISO 965/1 (metric) ⁴⁾
CI = ANSI B1.1 (UNF thread, sealing to SAE standard) ⁴⁾
DI = ANSI B1.20 (NPT thread) ⁴⁾

for SBO 250 P - 0.075 E1 and for SBO 210 P - 0.16 E1:

AK = ISO 228 (BSP), standard connection

¹⁾ Not available for all models

²⁾ Not all combinations are possible

³⁾ When ordering spare bladders, please state smallest bladder connection port size at gas charging end

⁴⁾ Please give full details when ordering

5.2. GENERAL

5.2.1 Operating pressure

See tables (may differ from nominal pressure for foreign test certificates).

5.2.2 Nominal volumes

See tables

5.2.3 Effective gas volume

See tables, based on nominal dimensions. This differs slightly from the nominal volume and must be used when calculating the usable volume.

On the diaphragm accumulator, the effective gas volume corresponds to the nominal volume.

5.2.4 Usable volume

Volume of fluid which is available between the operating pressures p_2 and p_1 .

5.2.5 Fluids

Mineral oils, hydraulic oils, non-flam fluids, water, emulsions, fuels. Other fluids on request.

5.2.6 Gas charge

Use only nitrogen for charging; NEVER use oxygen (danger of explosion). When supplied, the accumulator is only pre-charged for storage purposes. Higher pre-charge pressures are possible by arrangement.

5.2.7 Permissible operating temperature

263 to 353 K (-10 °C to +80 °C) for material code 112.

Others on request.

5.2.8 Permissible pressure ratio

Ratio of maximum operating pressure p_2 to gas pre-charge pressure p_0 (see 4.2.2).

5.2.9 General safety notes

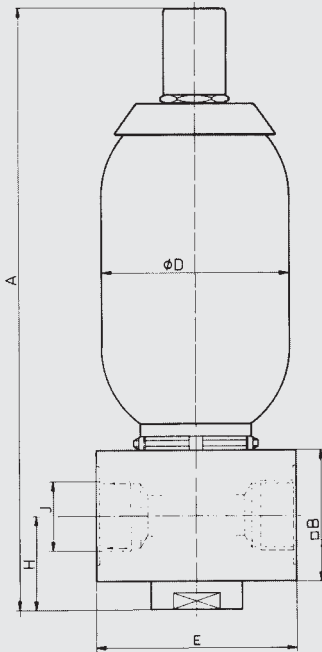
On no account must any welding, soldering or mechanical work be carried out on the accumulator shell.

After the hydraulic line has been connected it must be completely vented. Work on systems with hydraulic dampers (repairs, connecting pressure gauges etc.) must only be carried out once the pressure and fluid have been released.

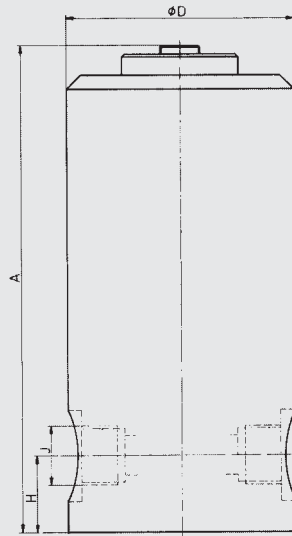
Please see operating instructions.

5.3. PULSATION DAMPER

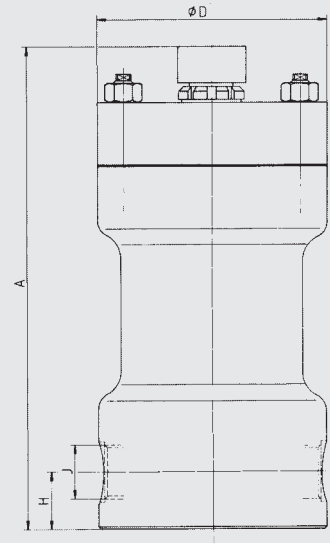
SB 330/550 P (PH)-...



SB 800 P-...



SB 1000 P-...



5.3.1 Dimensions SB

Nominal volume litres	Max. operating pressure * bar	Effective gas volume litres	Weight kg	A mm	B mm	Ø D mm	E mm	H mm	J ²⁾ thread ISO 228	Series
1	330	1.0	11	365	80	118	120	57	G 1¼	SB330P
	550		13	384	70	121		53		SB550P
1.5	800	1.3	36	346	–	160	–	55		1)
	1000		94	414	–	215	–	49	SB1000P	
2.5	330	2.4	16	570	80	118	120	57	G 1¼	SB330P
	550	2.5	20	589	70	121		53		SB550P
4	330	3.7	18	455	80	171	150	57		G 1½
			26	491	100			85	SB330PH	
5	550	4.9	26	917	70	121	120	53	G 1¼	SB550P
6	330	5.7	20	559	80	171	150	57		G 1½
			28	593	100			85	SB330PH	
10	330	9.3	40	620	130x140	229	150	100	SAE2"-6000 PSI	
13			330	12.0				48	712	100
	20	18.4			70	920	130x140	100	SAE2"-6000 PSI	SB330P
80			952	100	85	G 1½				SB330P
24	330	23.6	82	986	100	229	150	85	G 1½	SB330P
32		33.9	100	1445	130x140			100		SAE2"-6000 PSI
					110	1475	130x140			

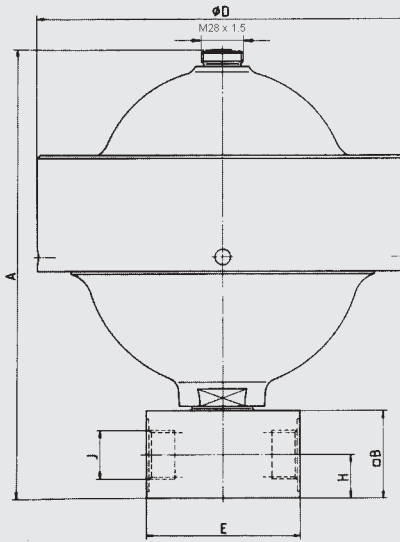
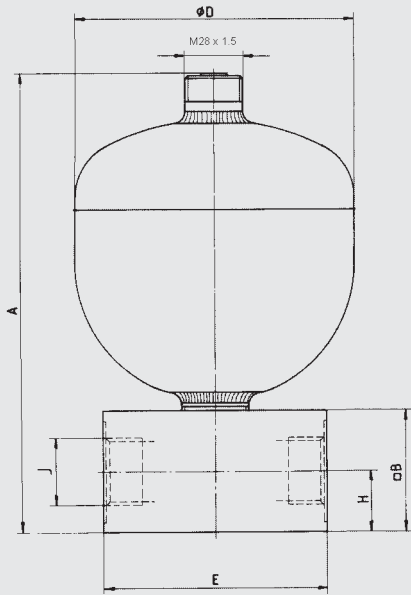
¹⁾ M 56 x 4, high pressure connection DN 16; others on request

²⁾ Standard connection code = A1; others on request

* Pressure Equipment Directive PED 97/23/EC

SBO...P...E

SBO...P...A6



5.3.2 Dimensions SBO

Nominal volume litres	Max. operating pressure *		Weight kg	A mm	□ B mm	Ø D mm	E mm	H mm	J ²⁾ thread ISO 228	Series		
	carbon steel bar	stainless steel bar										
0.075	250	–	0.9	131	–	64	hex. 41	13	G ¼	SBO250P-...E1	welded construction	
0.16	210	180	1.0	143	–	74						
0.32		160	2.6	175	50	93	80	25	G ½	SBO210P-...E1		
0.5		–	2.9	188		104						
0.6	330	–	5.9	222	60	115	105	30	G 1	SBO330P-...E1		
0.75	210	140	4.8	217		121				SBO210P-...E1		
1.0	200	–	6.2	231		136				SBO200P-...E1		
1.4	140	–	6.5	244		145				SBO140P-...E1		
	210	–	8.0	250		150				SBO210P-...E1		
	250	–	8.5	255		255				SBO250P-...E1		
2.0	100	100	6.6	261		160				SBO100P-...E1		
	210	–	9.2	267		167				SBO210P-...E1		
3.5	50	–	13.8	377						SBO50P-...E1		
	210	–								SBO250P-...E1		
4.0	–	50	6.0	368	158	SBO50P-...E1						
0.25	500	350	4.5 (5.2)	162 (180)	50	115	80	25	G ½	SBO500P-...A6	threaded construction	
0.6	330	250	8.9 (8.4)	202 (215)	60	140 (142)	95			105		30
1.3	400	–	13.8	267		199	SBO400P-...A6					
2.0	250	180	15.6 (15)	285 (274)		201 (199)	SBO250P-...A6					
2.8	400	–	24.6	308	252	SBO400P-...A6						
4.0		–	36.6	325	287							

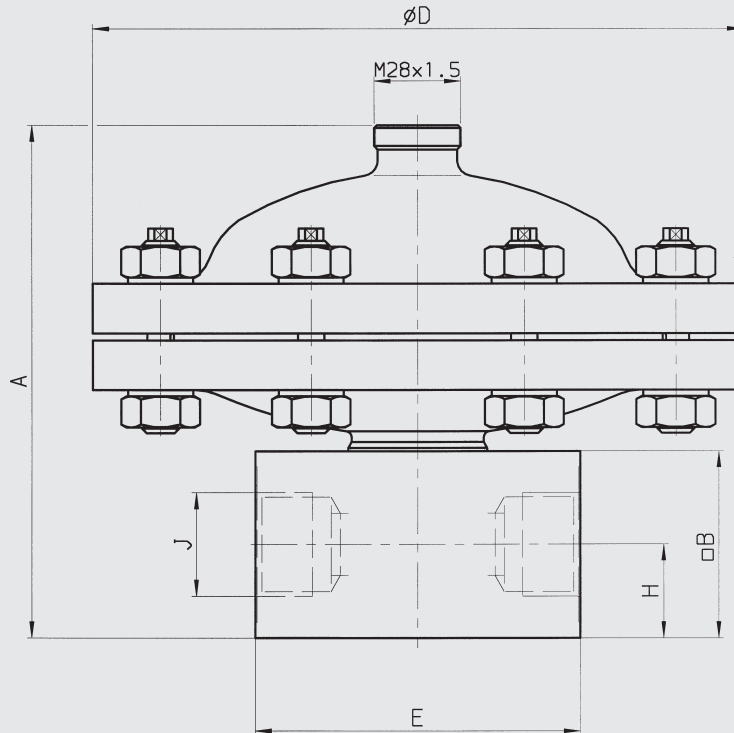
() brackets indicate different dimensions for stainless steel version

²⁾ standard connection code = A1; others on request

* Pressure Equipment Directive PED 97/23/EC

5.3.3 Pulsation damper for aggressive media

SBO...P-...A6/347...(PTFE)



Pulsation damper in stainless steel (AISI 316) with PTFE coated diaphragm and PTFE or FFKM seals. Version in synthetic material possible on request. Also available without connection block.

Approval:
Pressure Equipment Directive
PED 97/23/EC

Permissible operating temperature:
-15 / +80 °C

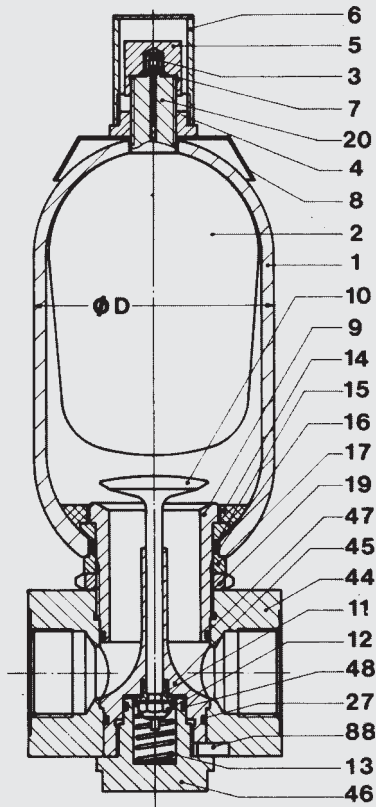
Permissible pressure ratio p_2/p_0 :
4 : 1

Nominal volume litres	max. operating pressure bar	Weight kg	A mm	□ B mm	Ø D mm	E mm	H mm	J ²⁾ thread ISO 228
0.2	40	11	140	60	210	105	30	G 1
	250	27	197		230			
0.5	40	12	165		210			
	250	26	200		230			

²⁾ Standard connection code = AI, others on request

5.3.4 Spare parts

SB...P



Description	Item
Gas valve insert *	3
Bladder, complete *	
Bladder	2
Gas valve insert	3
Retaining nut	4
Cap nut	5
Valve protection cap	6
O-ring	7
Anti-extrusion ring *	14
Seal kit *	
O-ring	7
Washer	15
O-ring	16
Support ring	23
O-ring	27
O-ring	47
O-ring	48

* recommended spares

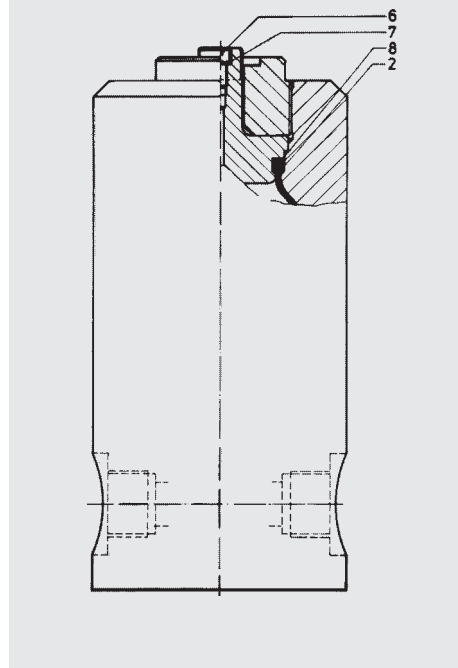
Description	Item
Connection, complete consisting of:	
Oil valve body	9
Valve plate	10
Damping sleeve	11
Safety nut	12
Spring	13
Anti-extrusion ring	14
Washer	15
O-ring	16
Spacer	17
Lock nut	19
Support ring (only for 330 bar)	23
O-ring	27
Connector	44
Guide piece	45
Cap	46
O-ring	47
O-ring	48
Locking key	88

O-ring dimensions (mm)

Series	Nom. volume	Item 7	Item 16	Item 27	Item 47	Item 48
SB330P	1 - 6 L	7.5x2	55 x 3.5 ¹⁾	42.2 x 3 ¹⁾	46 x 3 ¹⁾	24.2 x 3 ¹⁾
SB550P	1 - 5 L	7.5x2	50.17 x 5.33 ¹⁾	37.82 x 1.78 ¹⁾	40.94 x 2.62 ¹⁾	23.52 x 1.78 ¹⁾
SB330P/PH	10-32 L/4+6 L	7.5x2	80 x 5 ¹⁾	57.2 x 3 ¹⁾	67.2 x 3 ¹⁾	37.2 x 3 ¹⁾
SB330PH	10 - 32	7.5x2	100 x 5 ¹⁾	64.5 x 3 ¹⁾	84.5 x 3 ¹⁾	44.2 x 3 ¹⁾

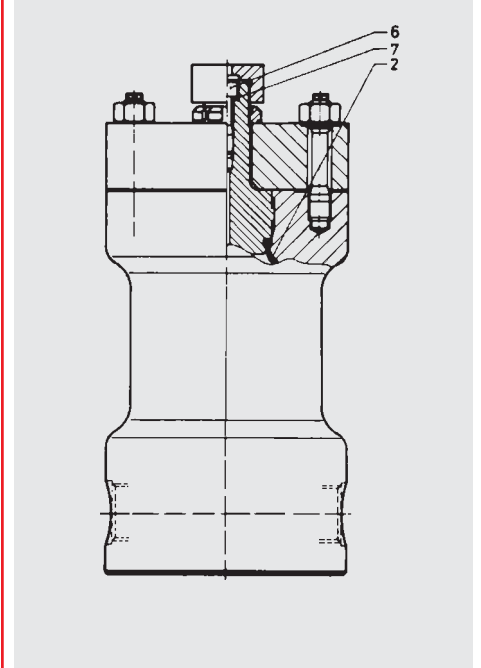
¹⁾ For code 663 and 665 different dimensions

SB 800 P



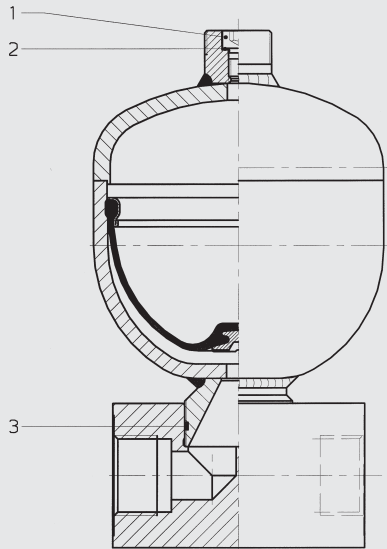
Description	Item
Bladder	2
Charging screw	6
Seal ring U 9.3 x 13.3 x 1	7
Support and sealing section	8

SB 1000 P



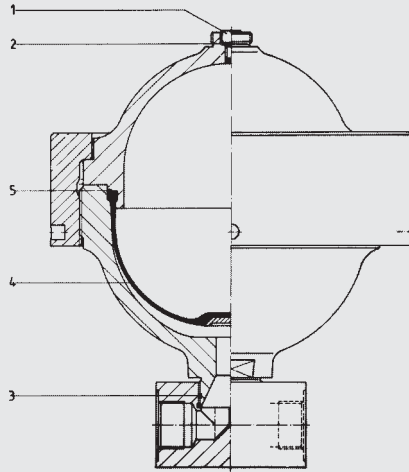
Description	Item
Bladder	2
Charging screw	6
Seal ring	7

SBO...P...E



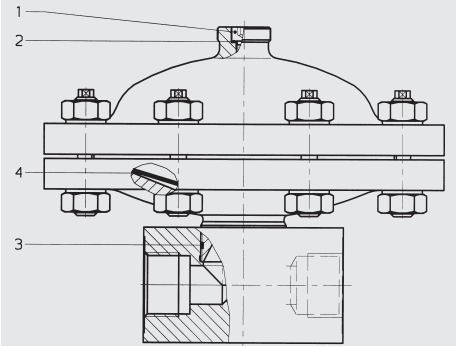
Description	Item
Charging screw	1
Seal ring	2
Seal ring	3

SBO...P...A6



Description	Item
Charging screw	1
Seal ring	2
Seal ring	3
Diaphragm	4
Support ring	5

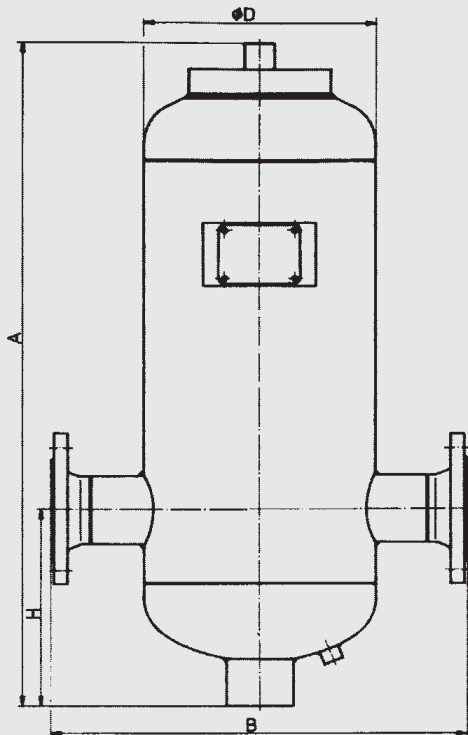
SBO...P...A6/347...(PTFE)



Description	Item
Charging screw	1
Seal ring	2
Seal ring	3
Diaphragm	4

5.4. SUCTION FLOW STABILISER

SB16S



5.4.1 Dimensions

SB 16 S - permissible working pressure 16 bar (*)

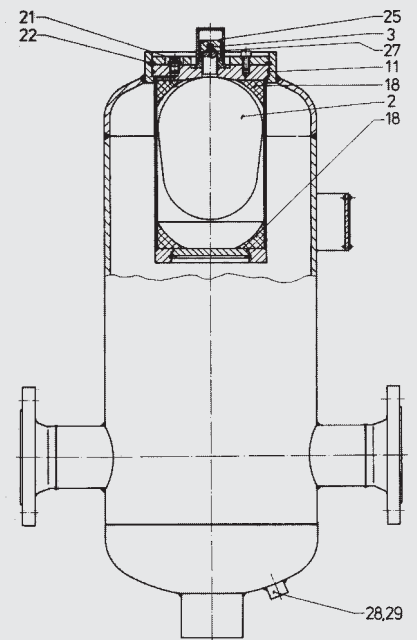
Nominal volume	Fluid volume	Effective gas volume	Weight	A	B	Ø D	H	DN
litres	litres	litres	kg	mm	mm	mm	mm	DIN 2633
12	12	1	40	580	425	219	220	65
25	25	2.5	60	1025				
40	40	4	85	890	540	300	250	80
100	100	10	140	1150	650	406	350	100
400	400	35	380	2050	870	559	400	125

Further pressure ranges 25 bar, 40 bar; others on request

Other fluid volumes on request

* Pressure Equipment Directive PED 97/23/EC

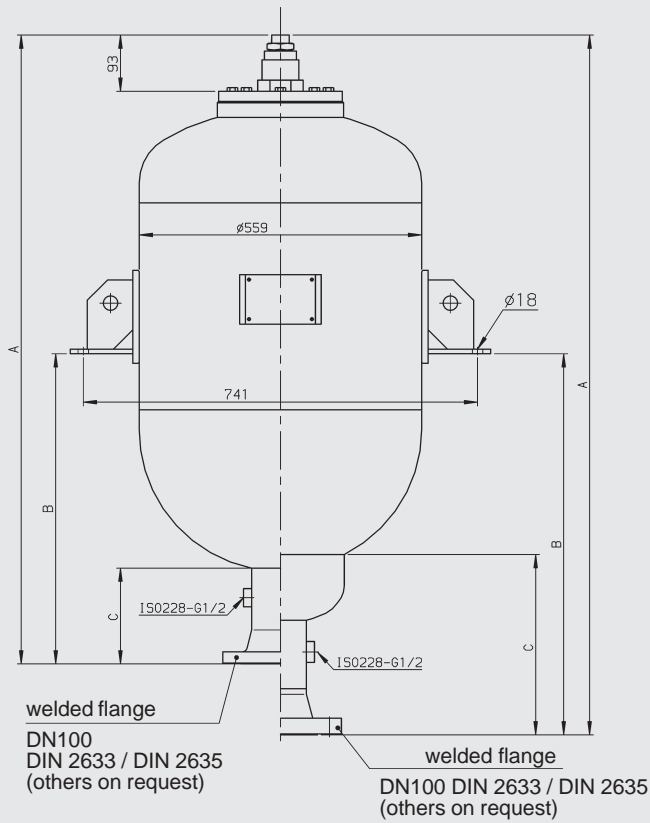
5.4.2 Spare parts



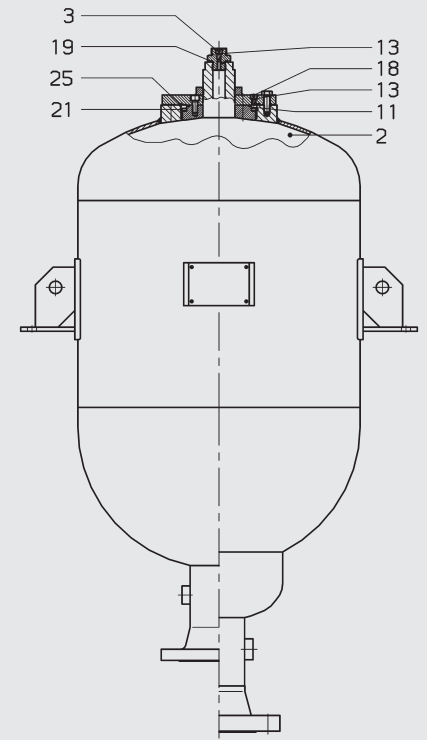
Description	Item
Bladder	2
Gas valve insert	3
O-ring	11
Insertion ring, 2x	18
Lock nut	21
Retaining ring	22
Cap nut	25
O-ring	27
Seal ring	28
Lock nut	29

5.5. SHOCK ABSORBER

SB16/35A(H)



5.5.2 Spare parts



5.5.1 Dimensions

SB16/35 A - perm. working pressure 16/35 bar (PED 97/23/EC)

Nominal volume Litres	Effective volume Litres	Weight kg		A (approx.) mm		B (approx.) mm		C (approx.) mm		DN ¹⁾ DIN 2633
		SB16A	SB35A	SB16A	SB35A	SB16A	SB35A	SB16A	SB35A	
100	99	84	144	870	880	390	403	185	198	100
150	143	101	161	1070	1080	490	503			
200	187	122	223	1310	1320	685	698			
300	278	155	288	1710	1720	975	988			
375	392	191	326	2230	2240	1250	1263			
450	480	237	386	2625	2635	1465	1478			

SB16/35 AH - perm. working pressure 16/35 bar (PED 97/23/EC)

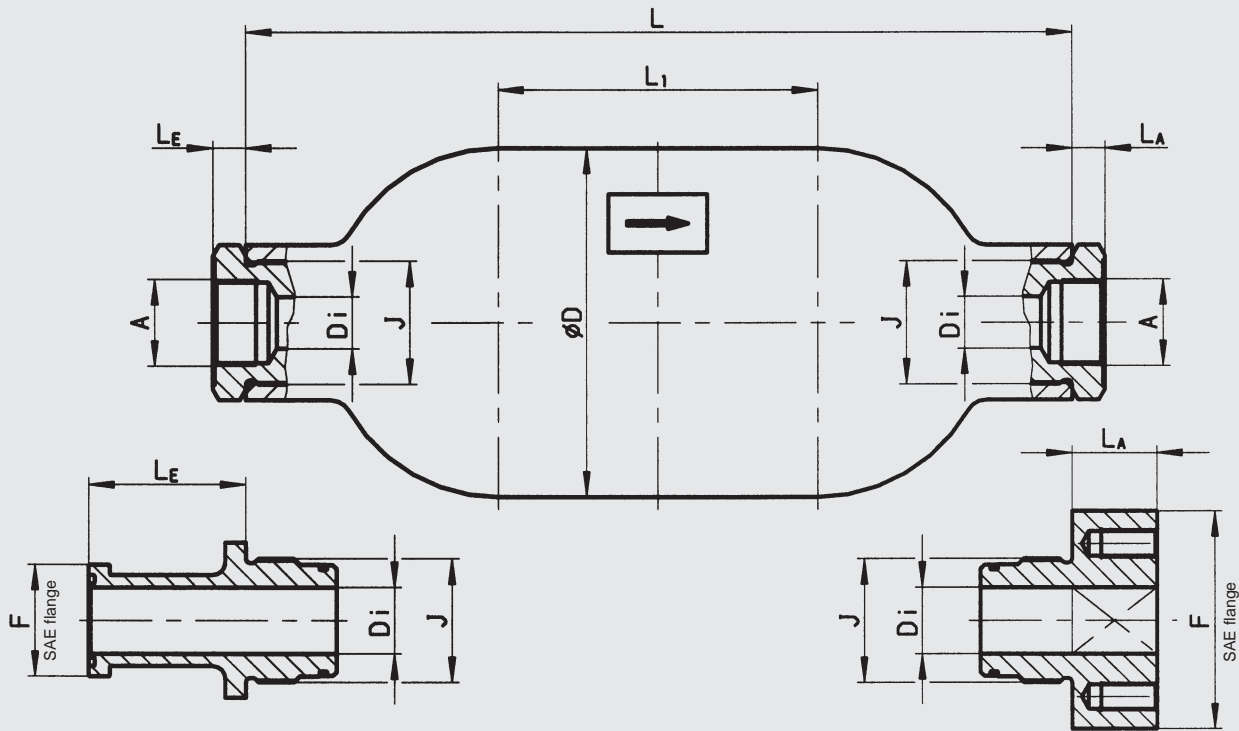
Nominal volume Litres	Effective volume Litres	Weight kg		A (approx.) mm		B (approx.) mm		C (approx.) mm		DN ¹⁾ DIN 2635 DIN 2633
		SB16AH	SB35AH	SB16AH	SB35AH	SB16AH	SB35AH	SB16AH	SB35AH	
100	99	93	153	957	965	457	465	245	254	80
150	143	110	170	1157	1165	557	565			
200	187	131	230	1417	1425	842	850			
300	278	164	297	1865	1873	1092	1100			
375	392	200	335	2307	2315	1342	1350			
450	480	246	395	2702	2710	1542	1550			

¹⁾ other nominal widths on request

Description	Item
Bladder	2
Lock nut	3
O-ring	11
Seal ring	13
Vent screw	18
O-ring	19
Retaining ring	21
O-ring	25

5.6. SILENCER

SD330



5.6.1 Silencer model code

SD 330 - S15 / 012 U - 330 AE/AE

Silencer series _____

Size _____

Material code _____

Valve body (not applicable) _____

Vessel _____

1 = carbon steel
2 = carbon steel with coating *

Seals _____

2 = NBR (acrylonitrile butadiene)
6 = FPM (fluoro rubber)

User country _____

U = PED 97/23/EC
for other countries see table on page 4

Permissible operating pressure (bar) _____

Inlet connector/outlet connector _____

See table 5.6.3

* only on request

5.6.2 Dimensions

Size	Nom. volume [L]	L [mm]	L ₁ [mm]	Diameter D [mm]	J (ISO 228)	Weight [kg]
1.3	1.3	250	–	114	G 1	6.5
S 10	1.8	355	155		G 1 ¼	5.5
L 10 *	5.5	815	615			14.0
4.2	4.2	346	–	168	G 1 ½	12.5
S 15	4.7	420	155		G 2	11.4

5.6.3 Silencer connections
a) Threaded connection to ISO 228

Size	Fluid connection A									
	AC G ½ - ISO 228 D _i = 13 mm		AD G ¾ - ISO 228 D _i = 16 mm		AE G 1 - ISO 228 D _i = 19 mm		AF G 1¼ - ISO 228 D _i = 25 mm		AG G 1½ - ISO 228 D _i = 32 mm	
	L _E [mm]	L _A [mm]	L _E [mm]	L _A [mm]	L _E [mm]	L _A [mm]	L _E [mm]	L _A [mm]	L _E [mm]	L _A [mm]
S 10	13	13	13	13	30	30	33	33	-	
L 10										
S 15	-		16	16	16	16	26	26	36	36

b) Flange connection SAE J518 (Code 62 - 6000 psi)

Size	Fluid connection F											
	FG SAE ½" D _i = 13 mm		FH SAE ¾" D _i = 19 mm		FI SAE 1" D _i = 25 mm		FK SAE 1¼" D _i = 32 mm		FL SAE 1½" D _i = 38 mm		FM SAE 2" D _i = 50 mm	
	L _E [mm]	L _A [mm]	L _E [mm]	L _A [mm]	L _E [mm]	L _A [mm]	L _E [mm]	L _A [mm]	L _E [mm]	L _A [mm]	L _E [mm]	L _A [mm]
S 10	53	31	59	36	65	36	-		-		-	
L 10												
S 15	-		105	36	120	36	76	28	76	28	*	

* on request
- not available

6. NOTE
The information in this brochure relates to the operating conditions and applications described.
For applications or operating conditions not described, please contact the relevant technical department.
Subject to technical modifications.

NOTES