

Solenoid Coils

Type 40-1836

For solenoid operated
directional valves

SUITABLE FOR THE FOLLOWING VALVE TYPES

Seat valves

WSM06020
WS08
WSM10120
WS10
WSM12120
WS12
WSM16120
WS16

Spool valves

WK07L
WKM08
WK08
WK081
WK10E(G,H,J,F)-01
WK10L-50

GENERAL

- **Maximum power at minimum space requirement**

This is achieved by a layer-wound coil, which enables maximum copper winding at minimum space requirement.

The windings are parallel and do not cross. This prevents damage to the wire insulation and therefore prevents failure due to short circuits.

- **No additional seals necessary**

Internal coil seal prevents moisture from penetrating the winding and prevents resultant short circuits.

- **Mounting direction on the core tube optional**

This is made possible by symmetrical coil construction.

- **High mechanical resistance**

This is achieved by using a steel casing.

- **High thermal load capacity**

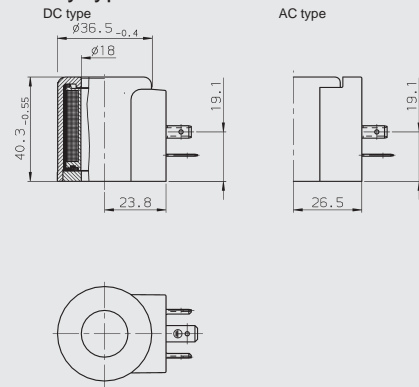
This is achieved by insulating with insulation material class H.

- **Saving of electrical energy**

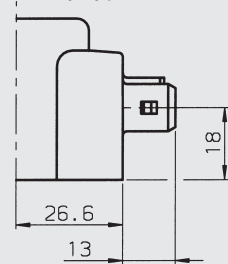
This is achieved due to low electrical power consumption.

TYPES OF ELECTRICAL CONNECTIONS

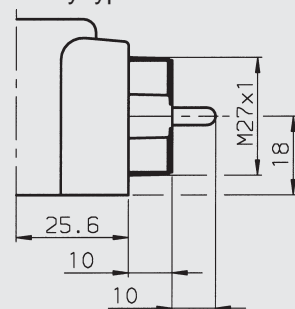
G Plug to DIN 43650 Safety type IP65



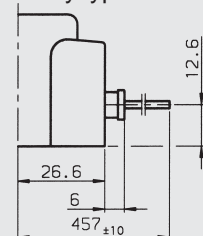
T 2-pole Junior Timer, radial Safety type IP65



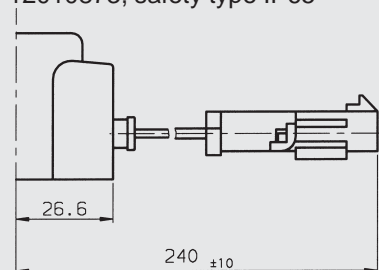
K Kostal screw connection Safety type IP67



L 2 flying leads, 0.75 mm² wire cross-section Safety type IP65



W 2 leads with Weatherpack Connector 12010873, safety type IP65



Others on request

DESCRIPTION

All solenoid coils are DC coils.

Solenoid coils for connection to alternating current have an integral bridge rectifier and can be connected to power supplies of 50 Hz and 60 Hz.

Solenoid coils with integral reverse polarity protected diode are available for reducing the switch-off induction voltage.

Please ask for details.

External materials:

Steel casing, corrosion protection Fe/Zn

Plug base in polyamide, black

TECHNICAL SPECIFICATIONS

Nominal voltage [V]	Type of current	Resistance at 20 °C [Ω]	Nominal current [A]
10	DC	5.4	1.85
12	DC	8	1.50
24	DC	30	0.80
36	DC	65	0.55
48	DC	116	0.41
110	DC	607	0.18
24	AC	24.8	0.850
115	AC	500	0.200
230	AC	2137	0.096

Others on request

STOCK NUMBER for standard coils

AC coils with integral bridge rectifier.

Nominal voltage	G	T	K	L	W
10 VDC	3003128	3008291	3003125	3003135	3003131
12 VDC	3000489	3008275	3003133	3002244	3003124
24 VDC	3000249	3008279	3003138	3003119	3003088
36 VDC	3003151	3008283	3003148	3003140	3003144
48 VDC	3003155	3008287	3003153	3003149	3003147
110 VDC	3003142	–	–	–	–
24 VAC	3003122	–	–	–	–
115 VAC	3003156	–	–	–	–
230 VAC	3002594	–	–	–	–

NOTE

The information in this brochure relates to the operating conditions and applications described.

For applications or operating conditions not described, please contact the relevant technical department.

Subject to technical modifications.

HYDAC Fluidtechnik GmbH

Justus-von-Liebig-Str.

D-66280 Sulzbach/Saar

Tel: 0 68 97 /509-01

Telefax: 0 68 97 /509-598

E-Mail: flutec@hydac.com