

up to 20 l/min
up to 250 bar

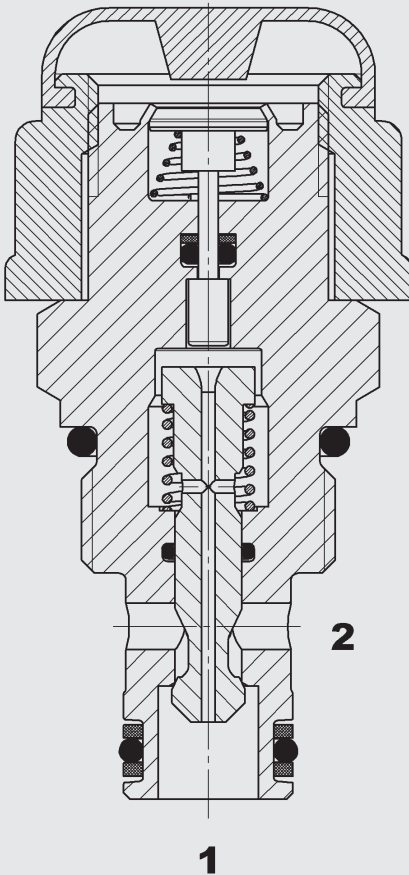
2/2 Directional Poppet Valve

Manually Operated, Normally Closed

SAE 8-Cartridge Valve – 250 bar

WS08WM-01

FUNCTION



The directional valve WS08WM-01 is a manually operated 2/2 way poppet valve, normally closed.

The valve is operated manually and, as long as the mechanical plunger is pressed, allows flow between port 1 and 2 in both directions.

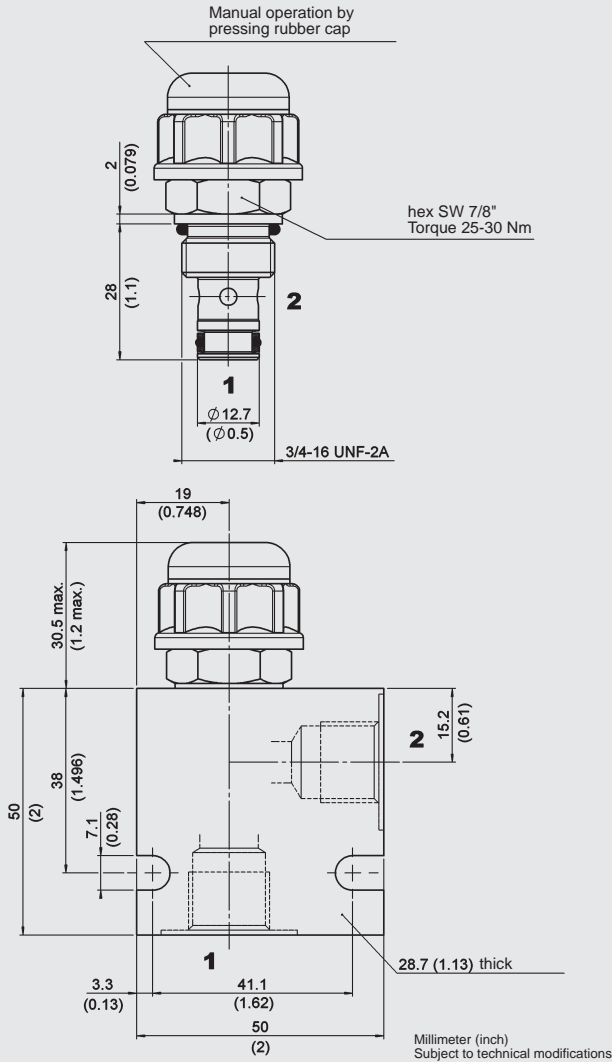
GENERAL

- For use in systems to be controlled manually
- UNF cavity
- All surfaces zinc-plated and corrosion-proof
- All valve parts made of high strength steel with hardened and ground components to ensure minimal wear and to extend service life
- Rigid design using one-piece body minimizes the effect of eccentricities in cavity and maximizes reliability
- Low pressure drop due to CFD optimized flow path

SPECIFICATIONS

Operating pressure:	max. 250 bar	
Flow rate:	max. 20 l/min	
Operating force:	thumb pressure (approx. 40-70 N)	
Internal leakage:	leakage-free	
Temperature range of operating fluid:	min. -20 °C to max. +120 °C	
Ambient temperature range:	min. -20 °C to max. +80 °C	
Operating fluid:	hydraulic oil to DIN 51524 Part 1 and 2	
Viscosity range:	7.4 mm ² /s to 420 mm ² /s is recommended	
Filtration:	permissible contamination level of the operating fluid to ISO 4406 Class 21/19/16 or cleaner	
Mounting position:	optional	
Materials:	valve body:	high strength steel
	spool:	hardened and ground steel
	seals:	NBR (standard) FKM (optional)
	back-up rings:	PTFE
Cavity:	FC08-2	
Weight:	0.09 kg	

DIMENSIONS



MODEL CODE

WS08WM - 01 - C - N

Designation _____
 Directional poppet valve, manually operated
 Normally closed, NW 08

Type _____
 01 = standard
 (other models on request)

Type of connection _____
 C = cartridge only
 SB3 = 3/8 BSP connection, steel housing
 AB3 = 3/8 BSP connection, aluminium housing

Seals _____
 N = NBR (standard)
 V = FKM (optional)

Standard models

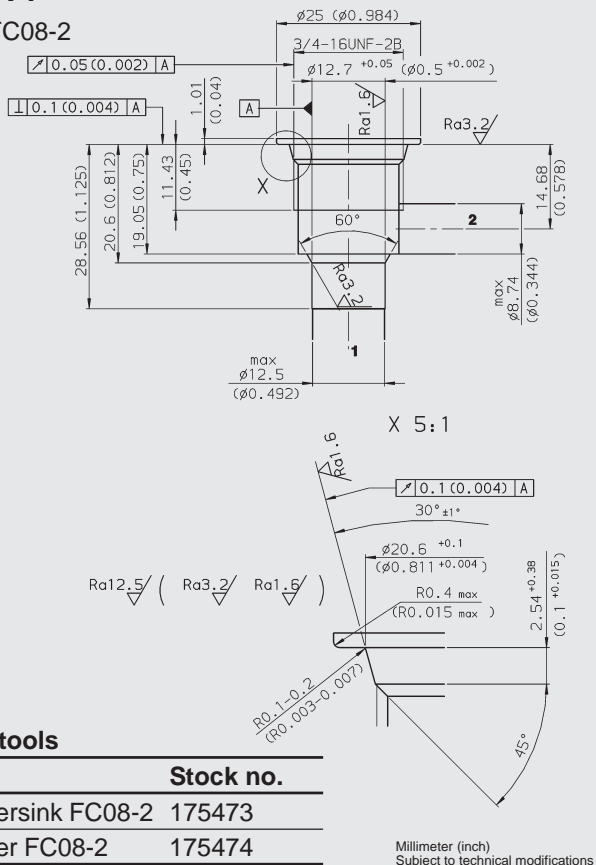
Model code	Stock no.
WS08WM-01-C-N	3054918

Inline connection housings

Code	Stock no.	Material	Ports
FH082-AB3	3011423	Aluminium, anodized	3/8" BSP
FH082-SB3	560919	Steel, zinc-plated	3/8" BSP

CAVITY

UNF FC08-2

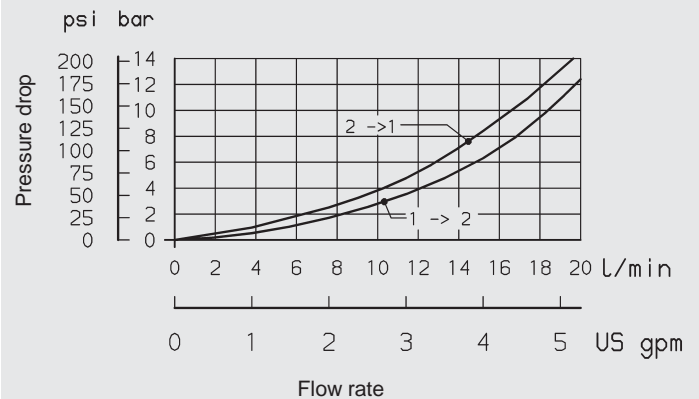


Form tools

Tool	Stock no.
Countersink FC08-2	175473
Reamer FC08-2	175474

PERFORMANCE

Measured at 34 mm²/s
 T_{oil} = 46 °C



NOTE

The information in this brochure relates to the operating conditions and applications described.
 For applications or operating conditions not described, please contact the relevant technical department.
 Subject to technical modifications.

HYDAC Fluidtechnik GmbH
 Justus-von-Liebig-Str.
D-66280 Sulzbach/Saar
 Tel: 0 68 97 /509-01
 Telefax: 0 68 97 /509-598
 E-Mail: flutec@hydac.com