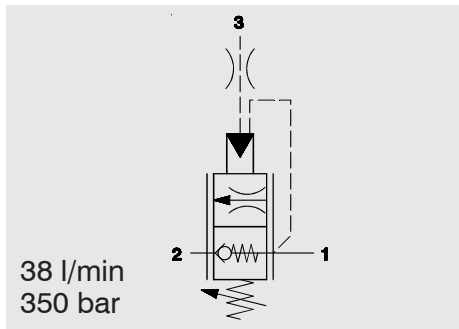
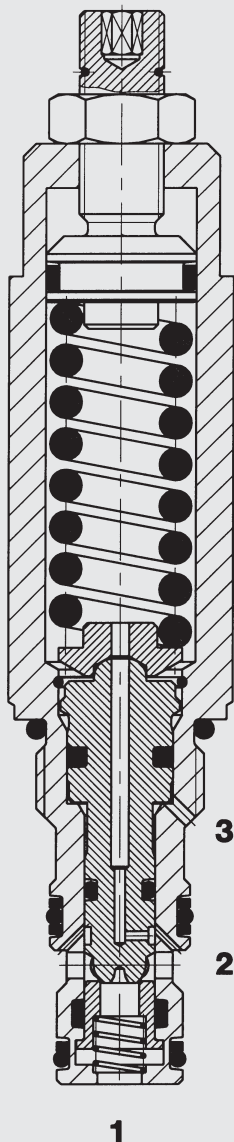


Counterbalance valve SAE 8-Cartridge – 350 bar

RS08-01



FUNCTION



The RS08 allows free flow from port 2 to port 1 (actuator), while normally blocking flow from port 1 to port 2. If the predetermined pressure setting is reached or sufficient pilot pressure is applied to port 3 the valve will allow free flow from port 1 (actuator) to port 2.

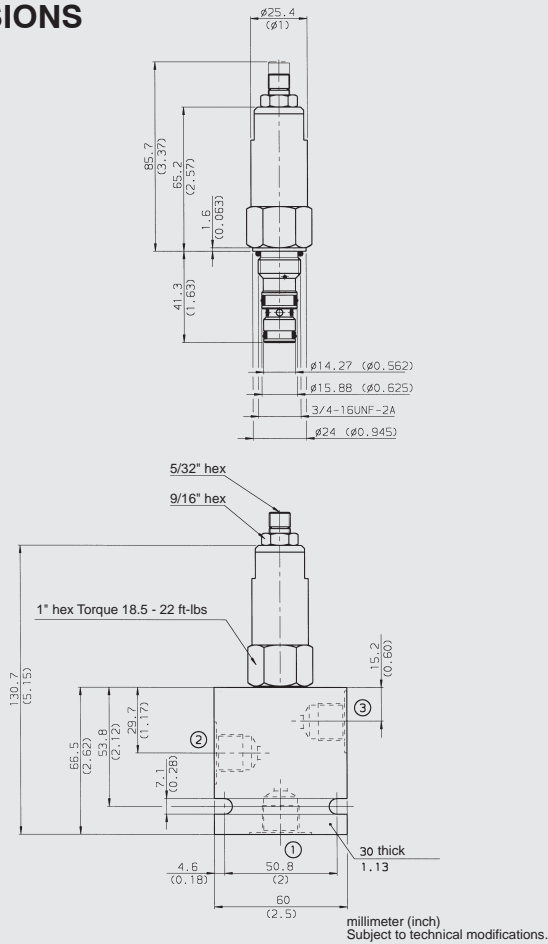
FEATURES

- All surfaces zinc-plated and corrosion proof
- Good stability throughout flow range
- Adjustable across entire pressure range
- Stroke arresting device for safe valve functions
- All valve parts made of high-strength steel with hardened and ground components to ensure minimal wear and to extend service life.
- Sealing between Port 2 and Port 3 to prevent leakage between the ports
- Optional spring ranges up to 350 bar
- Quick response
- Compact design

SPECIFICATIONS

Operating pressure:	350 bar
Nominal flow:	38 l/min
Pressure ranges:	up to 350 bar
Cracking pressure:	3 bar
Internal leakage:	0.25 cm ³ /min max. to 80% of nominal setting
Pilot ratio:	3:1, 4:1
Media operating temp. range:	-20 °C to +120 °C
Fluids:	Mineral-based or synthetics with lubricating properties
Viscosity:	7.4 to 420 cSt
Filtration:	Class 21/19/16 according to ISO 4406 or cleaner
Material:	Valve body: carbon steel Poppets: carbon steel Seals: NBR (standard) FKM (optional)
Cavity:	FC08-3
Weights:	266 g

DIMENSIONS



MODEL CODE

RS08-01 - C - N - 3 500 V 300

Basic Model

Body and Ports*

- C = Cartridge only
- SB3 = 3/8 BSP ports, steel body
- SS6 = SAE-6 ports, steel body
- AB3 = 3/8 BSP ports, aluminium body
- AS6 = SAE-6 ports, aluminium body

Seals

- N = NBR
- V = FKM

Pilot Ratio

- 3 = 3:1
- 4 = 4:1

Spring Range

- 500 = up to 350 bar

Adjustment Option

- V = Allen head (HEX 5/32")
- H = Knob adjustment
- F = Factory preset, non adjustable, in preparation

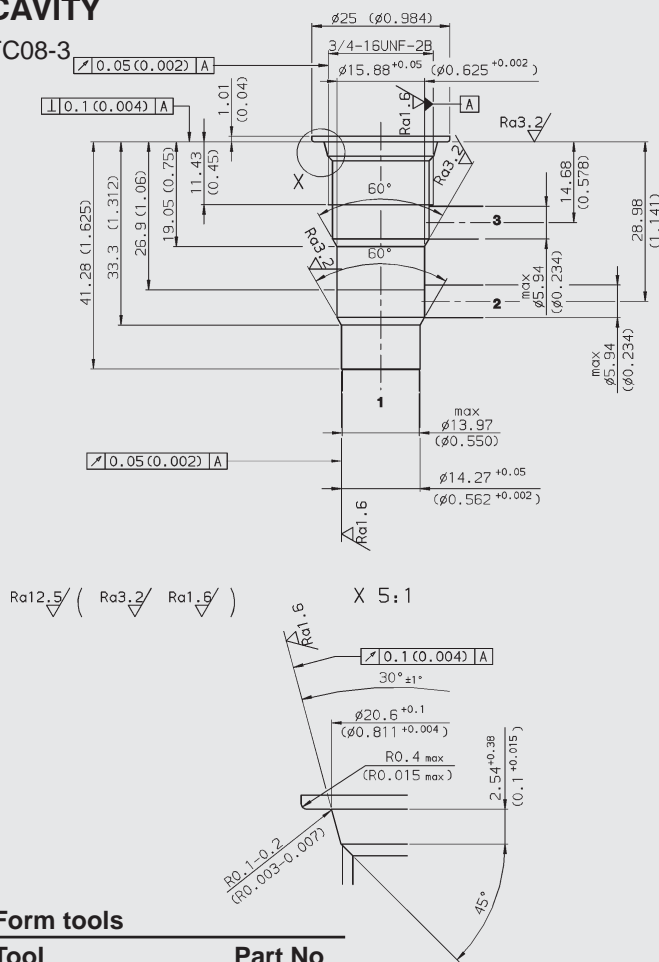
Setting

* Standard Line Bodies

Code	Part No	Material	Ports	Pressure
FH083-SB3	560922	Steel, zinc-plated	3/8 BSP	420 bar
FH083-SS6	560920	Steel, zinc-plated	SAE 6	420 bar
FH083-AB3	3011427	Aluminium, clear anodized	3/8 BSP	245 bar
FH083-AS6	3011424	Aluminium, clear anodized	SAE 6	245 bar

CAVITY

FC08-3



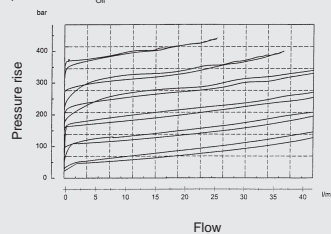
Form tools

Tool	Part No
Rougher FC08-3	175644
Finisher FC08-3	175645

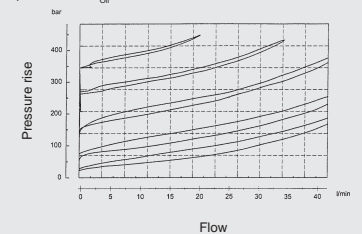
millimeter (inch)
Subject to technical modifications.

PERFORMANCE (Cartridge only)

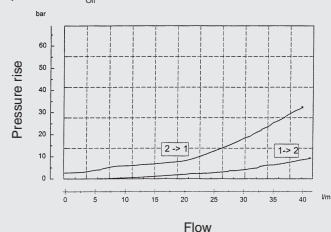
Measured at 34 cSt
T_{oil} = 46 °C



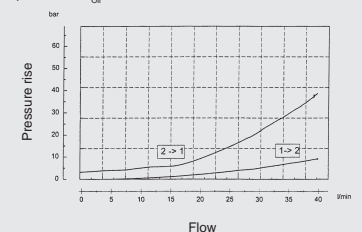
Measured at 34 cSt
T_{oil} = 46 °C



Measured at 34 cSt
T_{oil} = 46 °C



Measured at 34 cSt
T_{oil} = 46 °C



NOTE

The information in this brochure relates to the operating conditions and applications described. For applications or operating conditions not described, please contact the relevant technical department. Subject to technical modifications.

HYDAC Fluidtechnik GmbH

Justus-von-Liebig-Str.
D-66280 Sulzbach/Saar
Tel: 0 68 97 /509-01
Telefax: 0 68 97 /509-598
E-Mail: flutec@hydac.com