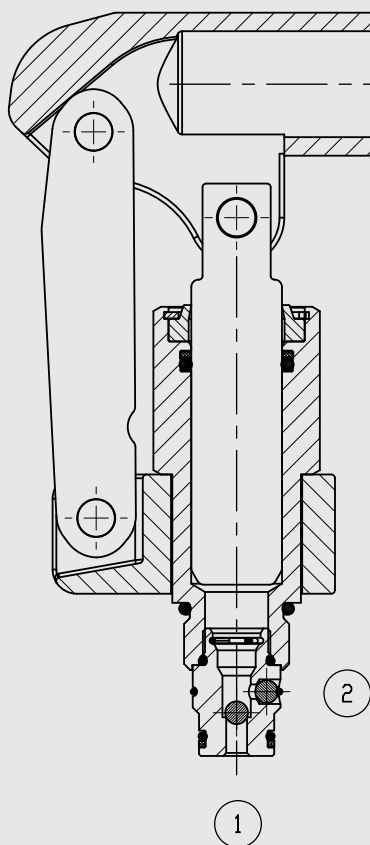


up to 7.5 cm³/stroke
up to 207 bar

FUNCTION



The hand pump MP10 is a hand pump with built-in checks on the inlet and outlet. When the lever is raised, fluid is drawn from port 1 into the space created; when the lever is pressed down, fluid is discharged at port 2.

Note:

The outlet check is not fully guided or positively seated with a spring. In load holding applications, using a proper check valve downstream of the hand pump is recommended.

Hand Pump Manual Operation UNF Cartridge – 207 bar MP10-01 /-02

FEATURES

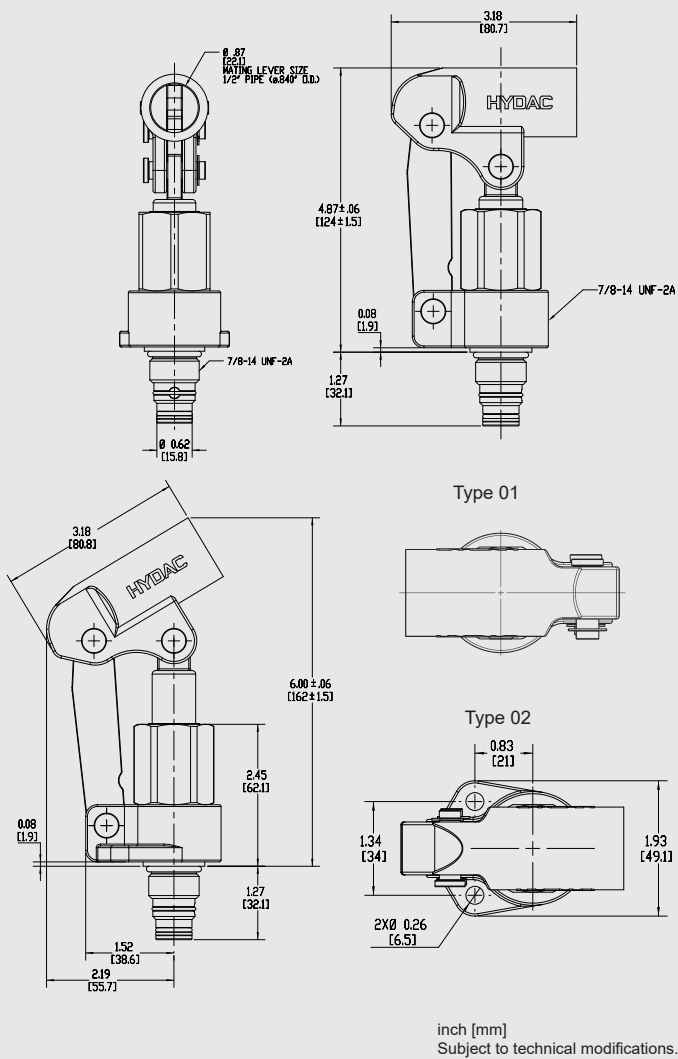
- Robust design for high loads
- Built-in checks on the inlet and outlet
- Handle can be turned through 360°
- Types with fixing lugs (type -02) available to secure the lever assembly and without fixing lugs (type -01)

SPECIFICATIONS*

Operating pressure:	max. 207 bar
Nominal flow:	max. 7.5 cm ³ /stroke
Suction pressure:	28 cmHg (0,37 bar) less than atmospheric pressure
Leakage:	max. 0.35 cm ³ /min at p _{max}
Media operating temperature range:	NBR: min. -30 °C to max. +100 °C FKM: min. -20 °C to max. +120 °C
Ambient temperature range:	NBR: min. -30 °C to max. +120 °C FKM: min. -30 °C to max. +120 °C
Operating fluid:	Hydraulic oil to DIN 51524 Part 1, 2 and 3
Viscosity range:	min. 7.4 mm ² /s to max. 420 mm ² /s
Filtration:	Class 21/19/16 according to ISO 4406 or cleaner
Installation:	mounting in upright position is recommended
MTTF _d	150 - 1200 years, according to DIN EN ISO 13849-1
Materials:	Valve body: high tensile steel Piston: steel Seals: NBR (standard) FKM (optional) Back-up rings: PTFE
Cavity:	FC10-2
Weight:	0.65 kg

* see "Conditions and instructions for valves" in brochure 53.000

DIMENSIONS



MODEL CODE

MP10 - 01 - C - N

Basic model
Hand pump, UNF

Cavity
FC10-2 = UNF cavity 2-way

Type
01 = without fixing lugs
02 = with fixing lugs

Body and ports*
C = Cartridge only

Seals
N = NBR
V = FKM

Standard models

Model code	Part No.
MP10-01-C-N	2610181
MP10-02-C-N	2610196

Other models on request

Standard in-line bodies

Code	Part No.	Material	Ports	Pressure
FH102-SB4	3037594	Steel, zinc-plated	1/2 BSP	207 bar
FH102-AB4	3037777	Aluminium, clear anodized	1/2 BSP	207 bar
FH102-AS8	3037778	Aluminium	SAE8	207 bar
FH102-SS8	3037612	Steel	SAE8	207 bar

Other line bodies on request

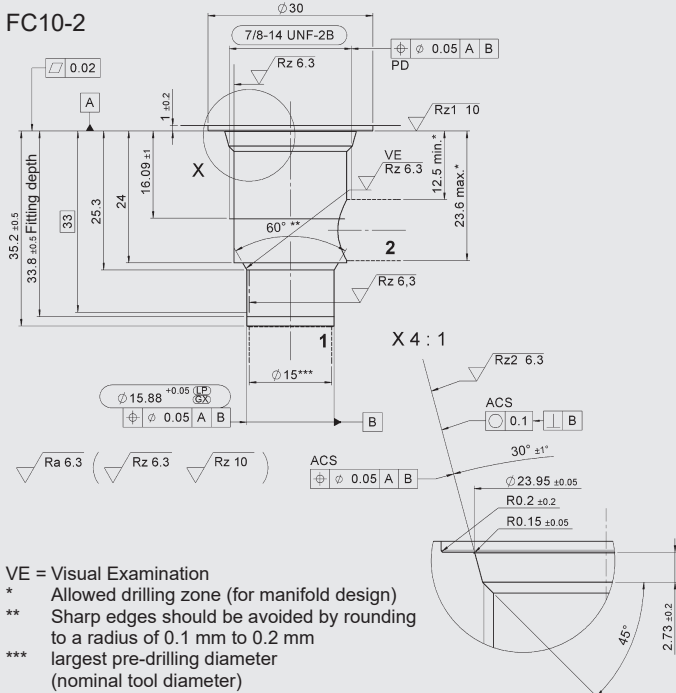
Seal kits

Code	Material	Part No.
FS UNF 10/N	NBR	3651557
FS UNF 10/V	FKM	3651559

Accessories

Code	Part No.
Handle Kit MP10	2610387

CAVITY



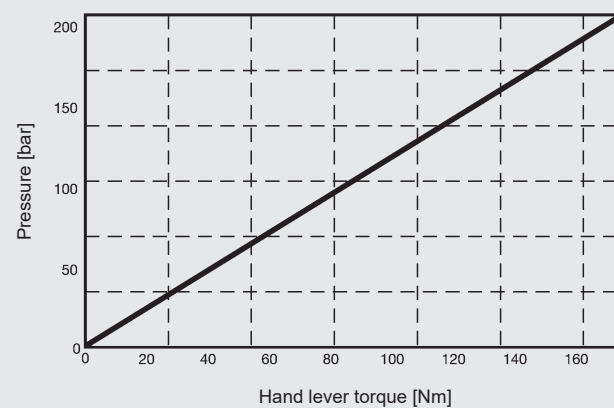
Form tools

Tool	Part No.
Pre-forming tool	176379
Reamer	165706

mm (inch)
Subject to technical modifications.

TYPICAL PERFORMANCE

measured at $T_{oil} = 46\text{ }^{\circ}\text{C}$ and $v = 33\text{ mm}^2/\text{s}$



NOTE

The information in this brochure relates to the operating conditions and applications described. For applications or operating conditions not described, please contact the relevant technical department.
Subject to technical modifications.

HYDAC Fluidtechnik GmbH
Justus-von-Liebig-Str.
D-66280 Sulzbach/Saar
Tel: 0 68 97 /509-01
Fax: 0 68 97 /509-598
E-Mail: valves@hydac.com