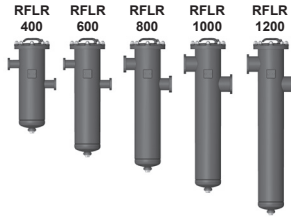


Inline Filter RFLR

Flow direction
from in to out
up to 1200 l/min, up to 25 bar



1. TECHNICAL SPECIFICATIONS

1.1 FILTER HOUSING

Construction

The filter housings are designed in accordance with international regulations. They consist of a filter housing and cover plate. The element is top-removable.

Standard equipment:

- mounting holes in the housing
- oil drain plug
- magnetic core built into cover plate
- with bypass valve
- port for a clogging indicator

1.2 FILTER ELEMENTS

HYDAC filter elements are validated and their quality is constantly monitored according to the following standards:

- ISO 2941
- ISO 2942
- ISO 2943
- ISO 3968
- ISO 11170
- ISO 16889

Contamination retention capacities in g

RFLR	Glass fibre (UHC)		
	5 µm	10 µm	20 µm
400	192	288	324
600	272	408	459
800	368	552	621
1000	438	658	739
1200	544	816	918

Filter elements are available with the following pressure stability values:

Glass fibre (UHC) for biodegradable oils: 6 bar
Wire mesh (WR): 6 bar

Other filtration ratings on request.

1.3 FILTER SPECIFICATIONS

Nominal pressure	25 bar
Temperature range	-30 °C to +120 °C
Material of filter housing	Steel
Material of cover plate	Spheroidal graphite iron
Type of clogging indicator	VM (differential pressure measurement up to 210 bar operating pressure)
Pressure setting of the clogging indicator	2 bar (others on request)
Bypass cracking pressure	3 bar (others on request)

1.4 SEALS

NBR (=Perbunan)

1.5 INSTALLATION

Inline filter

1.6 SPECIAL MODELS AND ACCESSORIES

- No port for clogging indicator on filter housing
- without magnetic core
- Seals in FPM

1.7 SPARE PARTS

See Original Spare Parts List

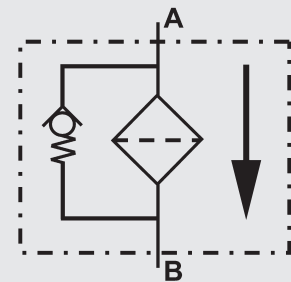
1.8 COMPATIBILITY WITH HYDRAULIC FLUIDS ISO 2943

- Hydraulic oils H to HLPD DIN 51524
- Lubrication oils DIN 51517, API, ACEA, DIN 51515, ISO 6743
- Compressor oils DIN 51506
- Biodegradable operating fluids VDMA 24568 HETG, HEES, HEPG

1.9 IMPORTANT INFORMATION

- Filter housings must be earthed.
- When using electrical clogging indicators, the electrical power supply to the system must be switched off before removing the clogging indicator connector.

Symbol for hydraulic systems



2. MODEL CODE (also order example)

RFLR UHC 800 D M 10 W 1.0 /-V

2.1 COMPLETE FILTER

Filter type

RFLR

Filter material

UHC Glass fibre for biodegradable operating fluids

WR Wire mesh

Size of filter or element

RFLR: 400, 600, 800, 1000, 1200

Operating pressure

D = 25 bar

Type and size of connection

Type	Connection	Filter size				
		400	600	800	1000	1200
L	SAE DN 50	●	●			
N	SAE DN 80			●		
P	SAE DN 100				●	●

Filtration rating in μm

UHC 5, 10, 20

WR 40, 60, 80

Others on request

Type of clogging indicator

W without port (no clogging indicator)

B visual

C electrical

D visual and electrical

for other clogging indicators,
see brochure no. 7.050../..

Type code

1

Modification number

X the latest version is always supplied

Supplementary details

V FPM seals

OM without magnetic core

2.2 REPLACEMENT ELEMENT

0800 R 010 UHC /-V

Size

0400, 0600, 0800, 1000, 1200

Type

R

Filtration rating in μm

UHC: 005, 010, 020

WR: 040, 060, 080

Others on request

Filter material

UHC Glass fibre for biodegradable operating fluids

WR Wire mesh

Supplementary details

V (for descriptions, see Point 2.1)

2.3 REPLACEMENT CLOGGING INDICATOR

VM 2 C X /-V

Type of indicator

VM differential pressure indicator

Pressure setting

2 standard (others on request)

Type of clogging indicator (see Point 2.1)

Modification number

X the latest version is always supplied

Supplementary details

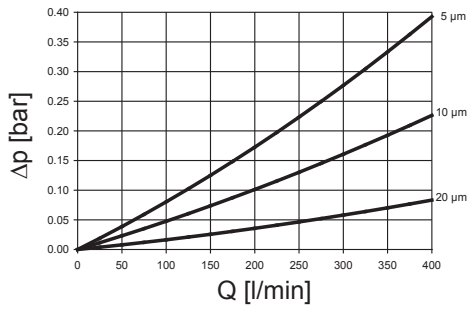
V (for descriptions, see Point 2.1)

3. FILTER CALCULATION / SIZING

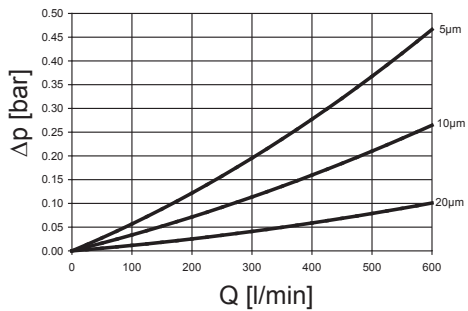
3.1 GRAPHS FOR COMPLETE FILTER

The total pressure drop graphs apply to mineral oil with a density of 0.86 kg/dm³ and a kinematic viscosity of 30mm²/s.

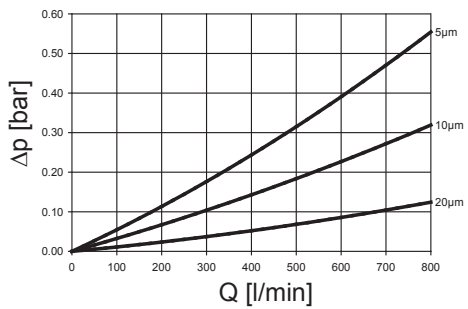
RFLR 400: UHC



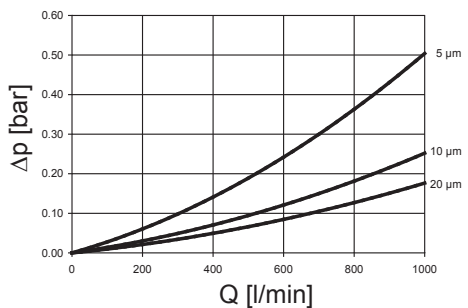
RFLR 600: UHC



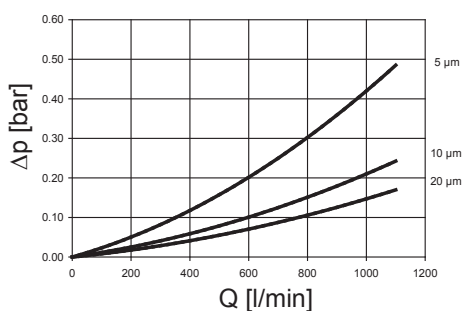
RFLR 800: UHC



RFLR 1000: UHC

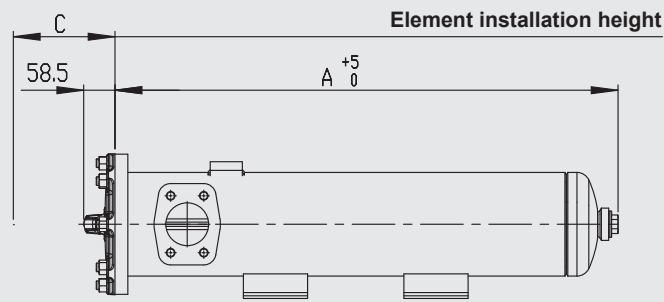
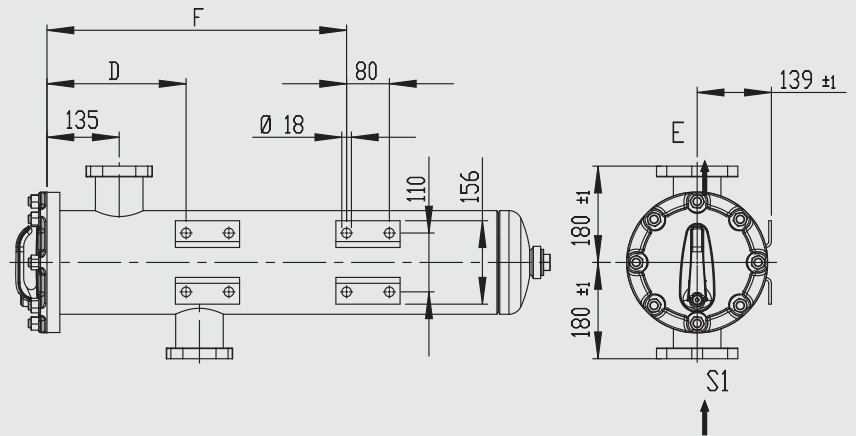


RFLR 1200: UHC



Other curves on request

4. DIMENSIONS



Type	Connection E + S	A	C	D	F	Weight incl. element [kg]
RFLR 400	SAE DN 50 (2")	650	400	120	—	33.5
RFLR 600	SAE DN 50 (2")	828	580	220	520	37.8
RFLR 800	SAE DN 80 (3")	940	700	260	560	42.8
RFLR 1000	SAE DN 100 (4")	1094	850	260	560	47.9
RFLR 1200	SAE DN 100 (4")	1260	1010	260	560	52.3

